



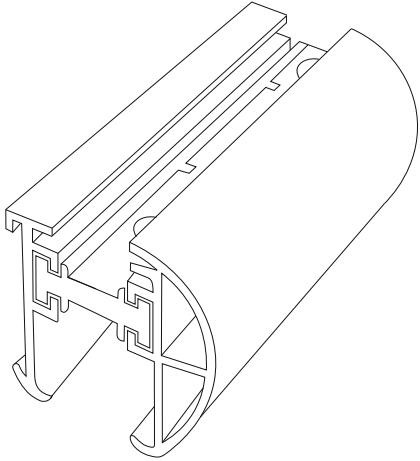
SQUARE30 & ROUND38

A strong discreet curtain track, suitable to use straight or with bay windows.

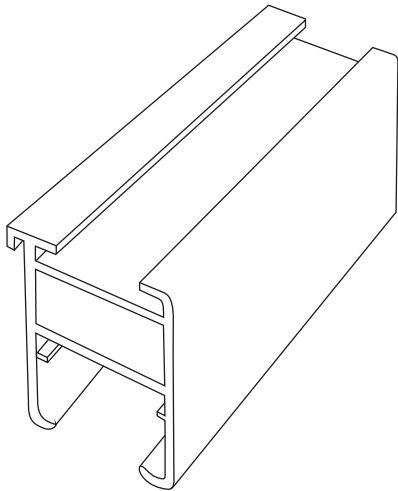
- Ceiling or face fix
- Range of colours with co-ordinated fittings to match
- Surf gliders for wave headed curtains
- Unlimited length

CameronFuller
Curtain Poles and Track

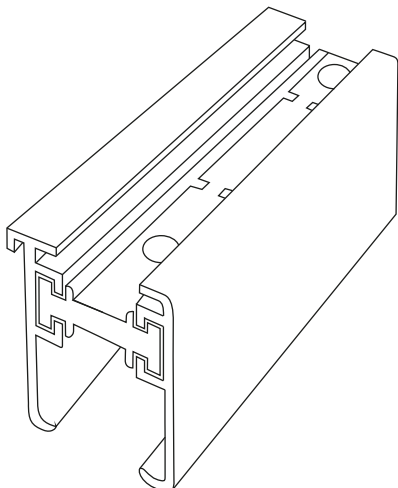
PRECISE DESIGN



ROUND 38
STRAIGHT & PRE BENT FOR BAYS



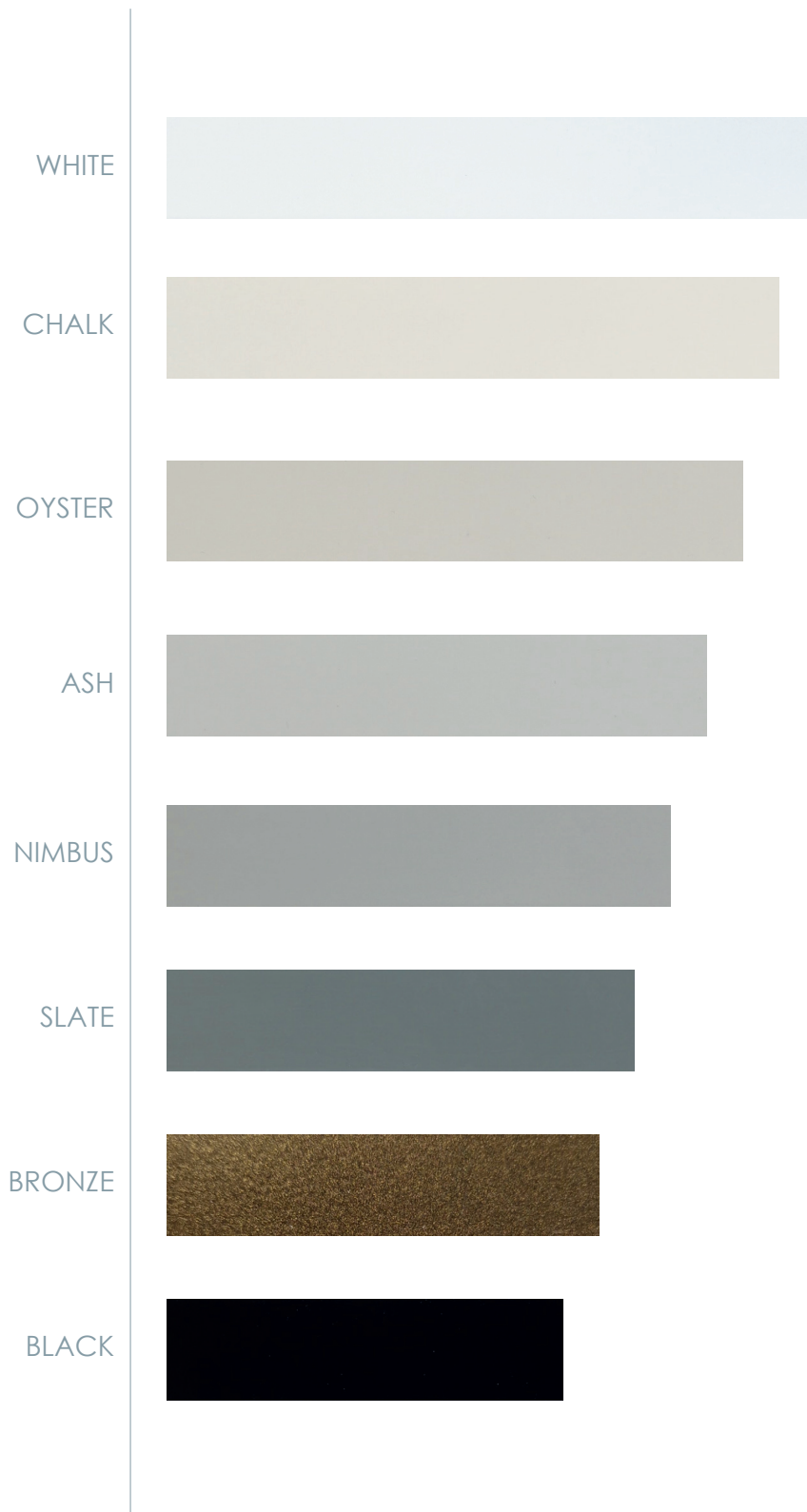
SQUARE 30 - STRAIGHT



SQUARE 30 - BENDABLE
(Bent on site)



TRACK COLOURS

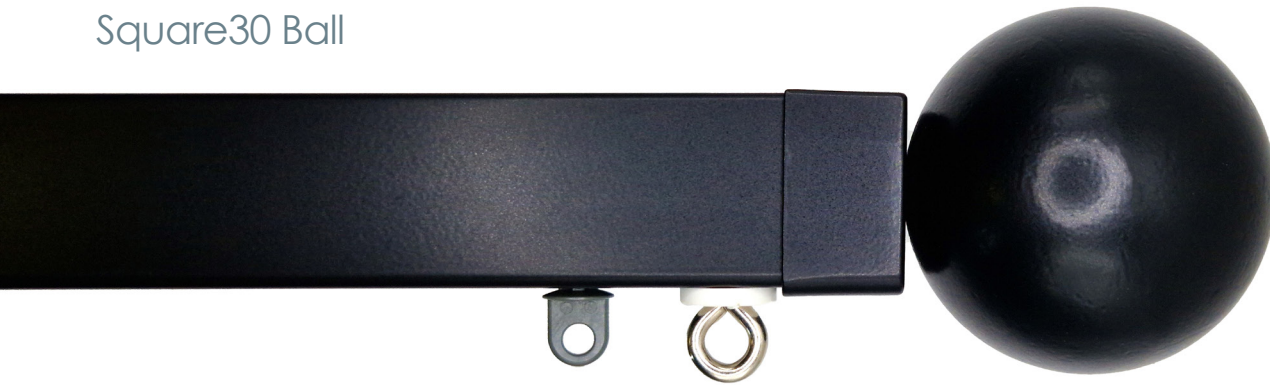


S Q U A R E 3 0

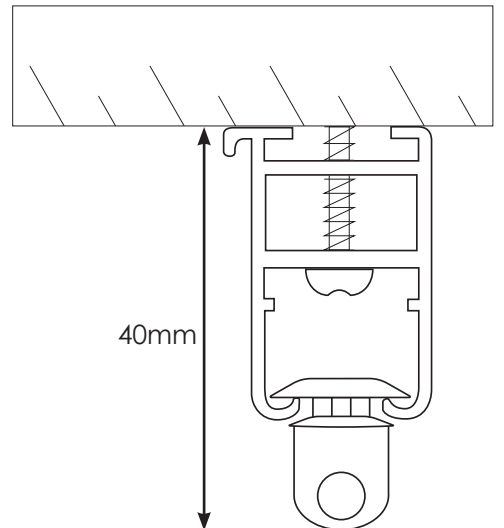
Square30 Cap



Square30 Ball



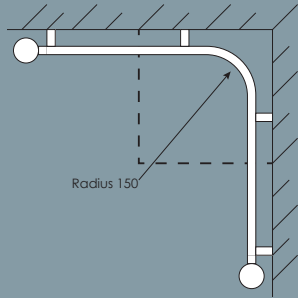
S Q U A R E 3 0 T O P F I X I N G



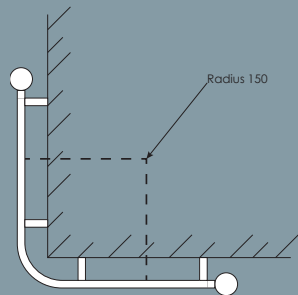
Square30 neatly fixes directly to the ceiling, eliminating ceiling/ track shadow line.

SQUARE30 BENDABLE

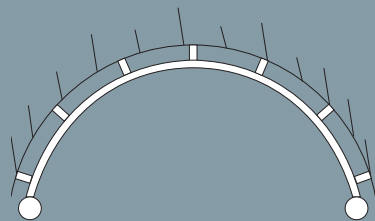
Square30 Bendable Track can be bent or curved by hand on site to fit most bay windows, including returns in the room.



FORWARD BENDS



REVERSE BENDS



CONTINUOUS BENDS
(Square30 Only)



ROUND38

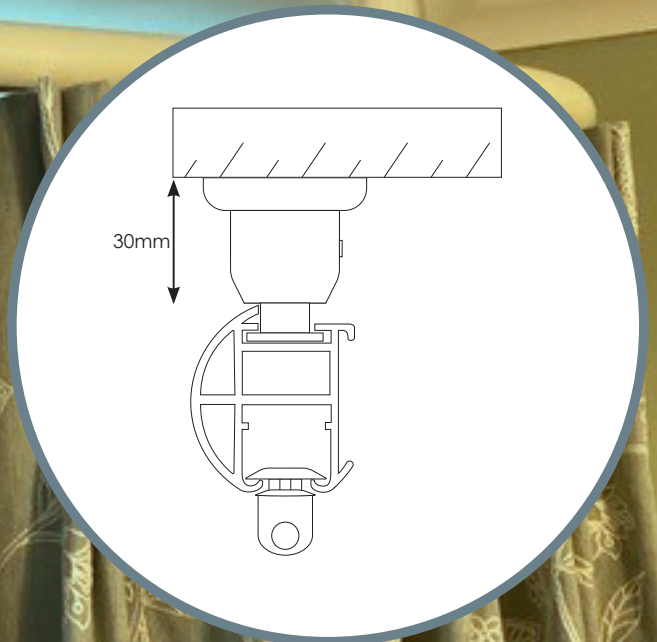
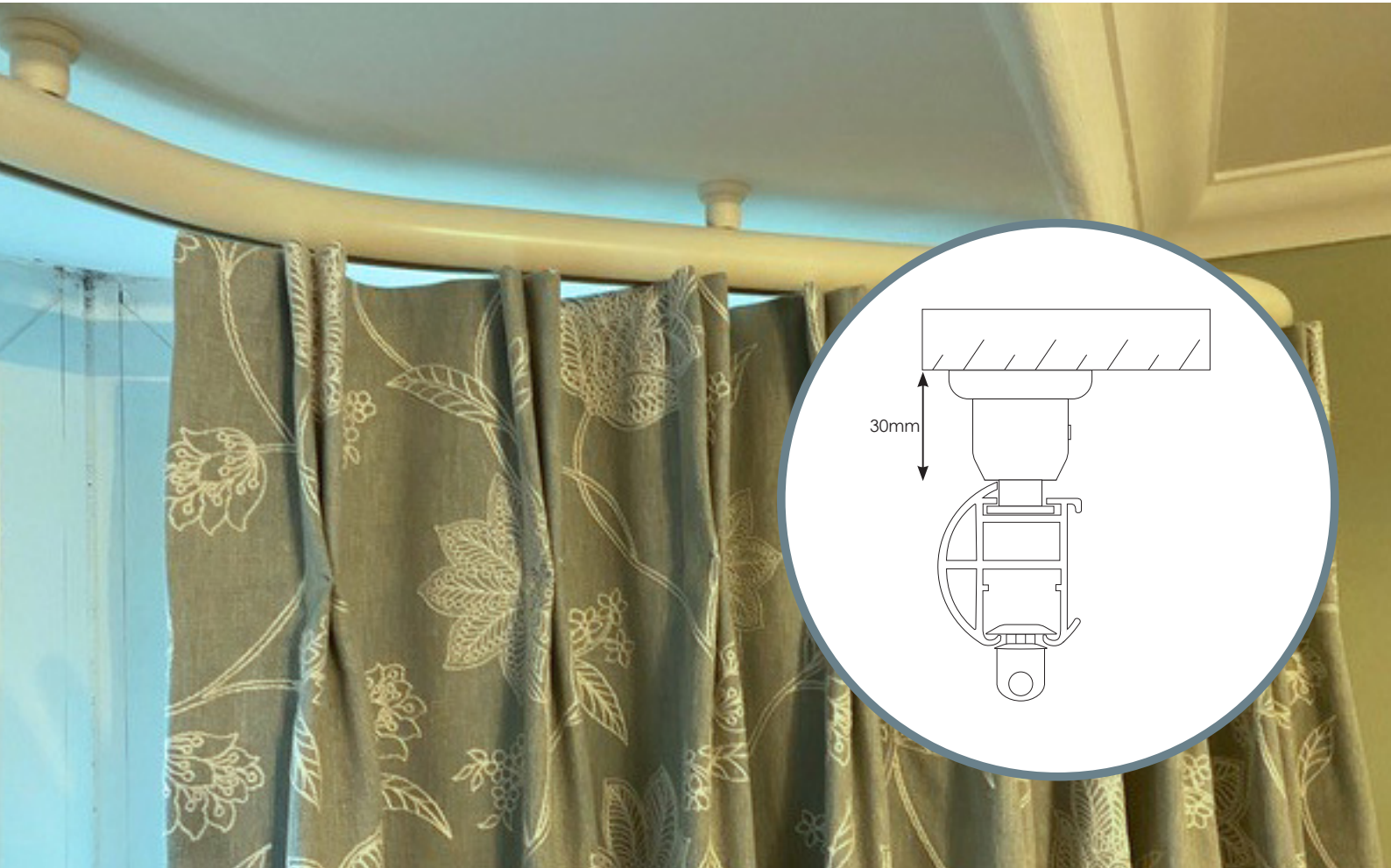
Round38 Cap



Round38 Ball



TOP FIXING



ROUND38 FOR BAYS



PRE BENT ANGLES
FOR BAY WINDOWS

FORWARD &
REVERSE BENDS

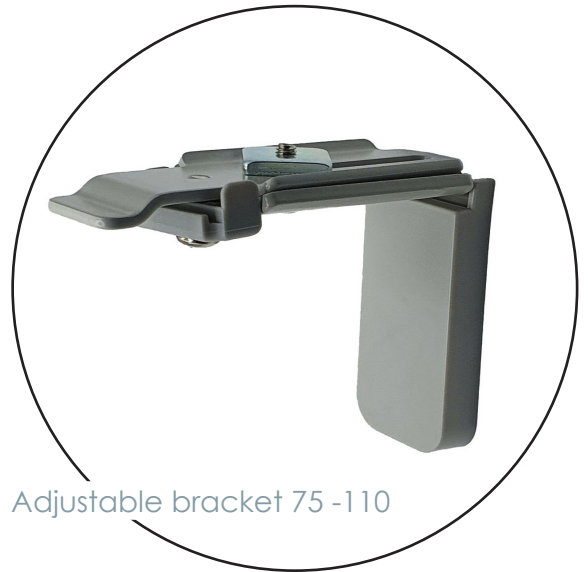
BRACKETS FOR BOTH
CEILING & FACE FIX



FACE FIX BRACKETS



Standard bracket



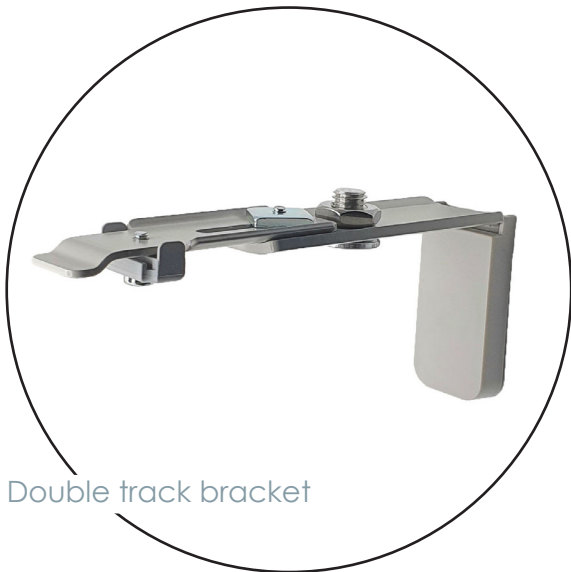
Adjustable bracket 75 -110



Adjustable bracket 110 -150



Standard horizontal bracket

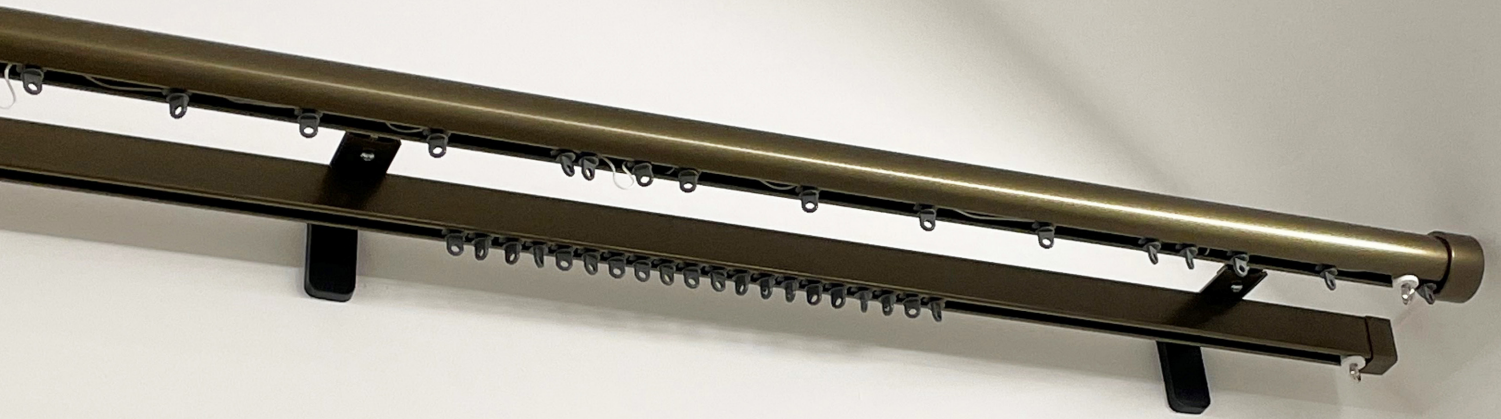


Double track bracket



'Short' horizontal bracket

DOUBLE TRACKS



ROUND38 or SQUARE30
FOR THE FRONT

FACE FIX BRACKETS
or TOP FIXING

STANDARD or SURF
GLIDER OPTIONS

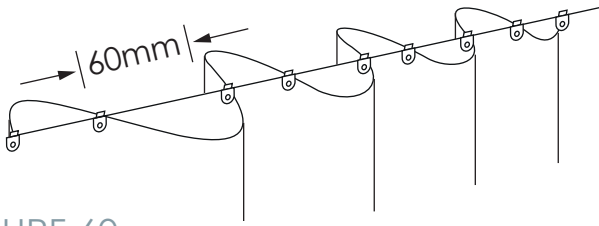




SURF GLIDERS



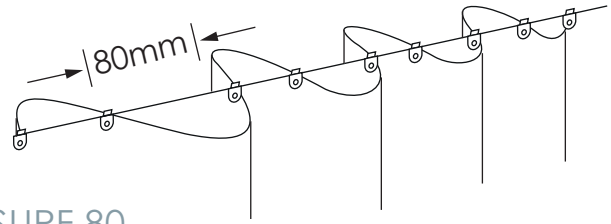
SURF GLIDERS



SURF 60

Standard wall brackets will allow curtains to stack back correctly with SURF 60 gliders.

This features a shallower and smaller profile both front and back, making it suitable for narrower recesses but will exhibit a slightly larger stack back.



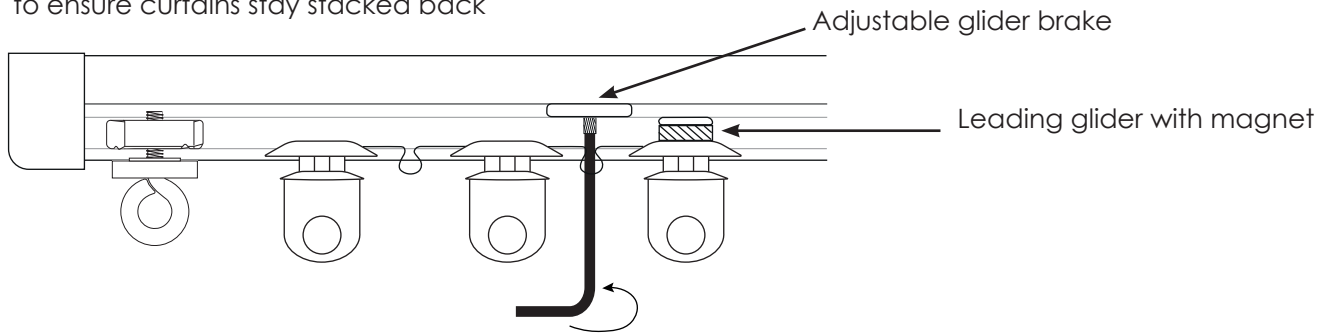
SURF 80

Use adjustable brackets (75mm-110mm minimum) to allow curtains to stack back correctly with SURF 80.

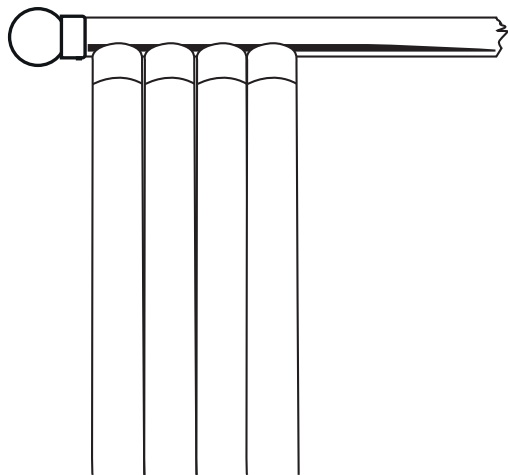
This provides a deeper profile with increased spacing from the front and back.

MAGNETIC GLIDER BRAKE

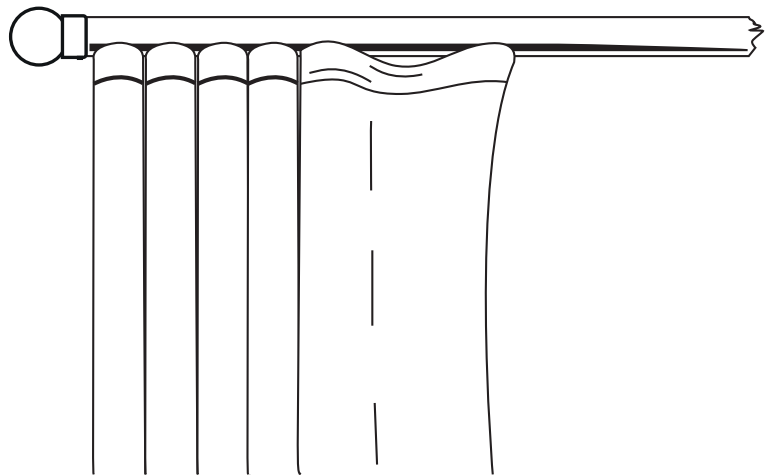
to ensure curtains stay stacked back



With glider brake



Without glider brake





CameronFuller

Curtain Poles and Track

Tel: 01404 47568

Email: sales@cameronfuller.co.uk

www.cameronfuller.co.uk

© cameronfuller 2024