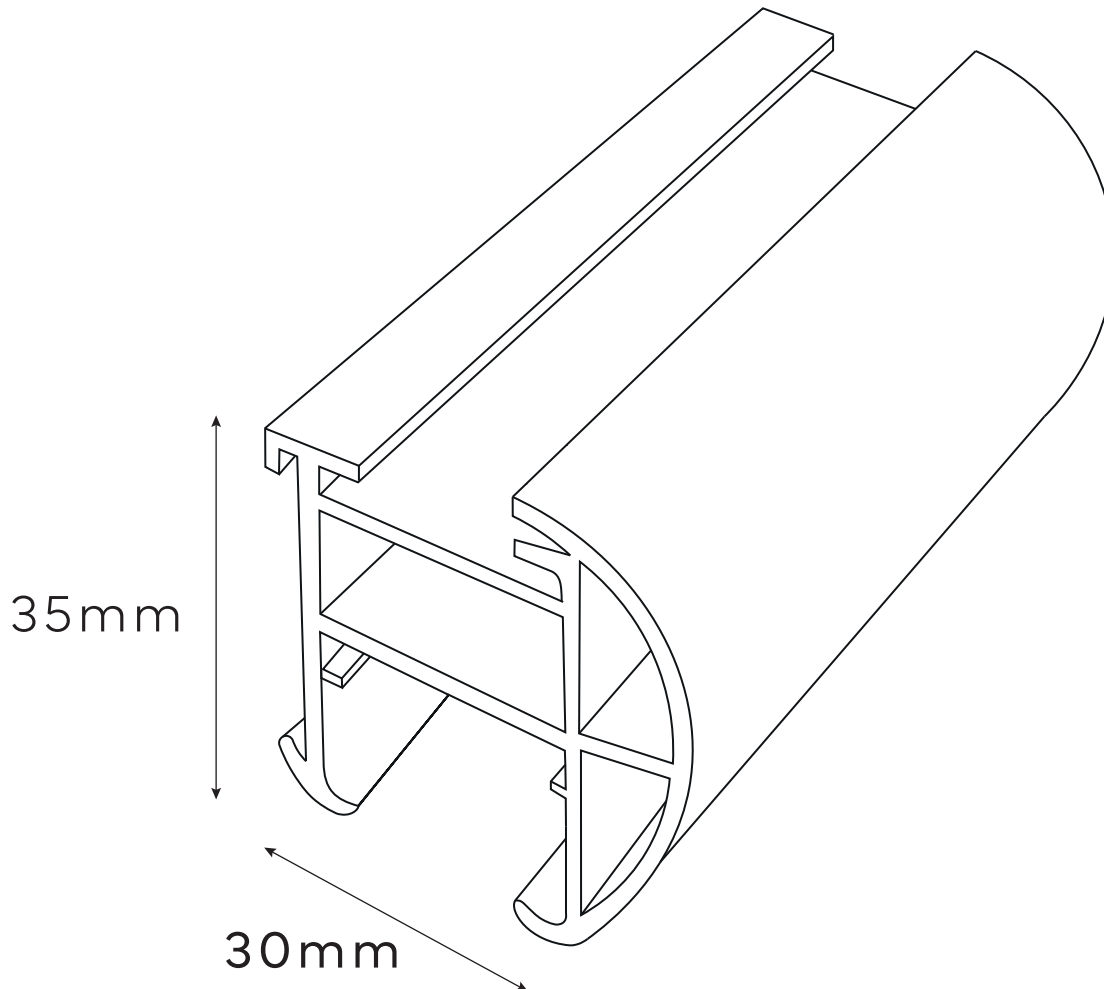


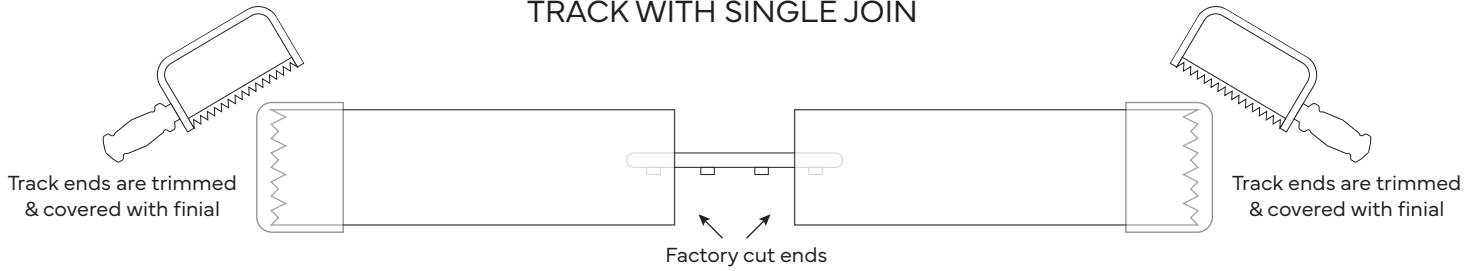
SQUARE30 STRAIGHT INSTRUCTIONS



- ① TRACK TRIMMING AND JOINING
- ② FACE FIXING
- ③ TOP FIXING
- ④ SURF GLIDERS & GLIDER BRAKES
- ⑤ DOUBLE TRACKS
- ⑥ TECHNICAL DETAILS

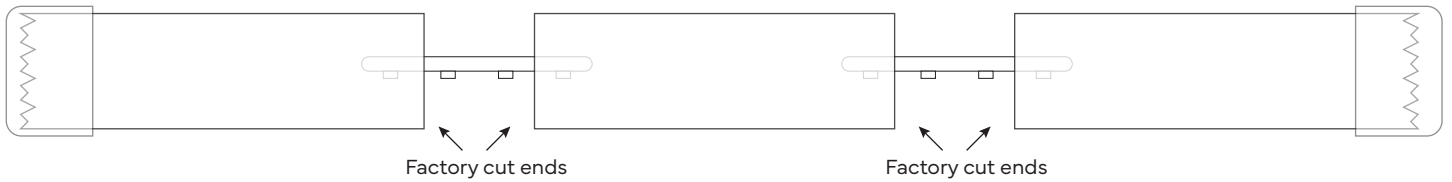
TRACK TRIMMING & JOINING

TRACK WITH SINGLE JOIN



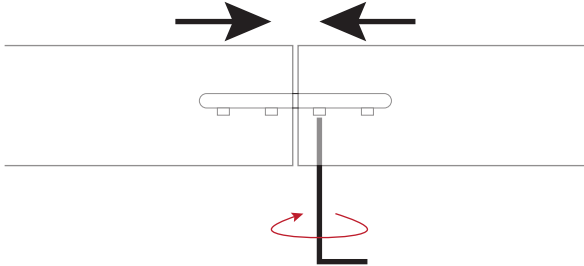
- 1 Join factory cut ends and trim excess at track ends only

TRACK WITH MULTIPLE JOINS

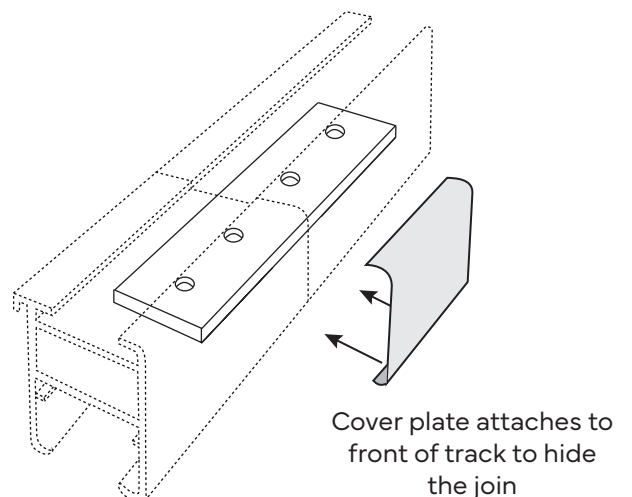
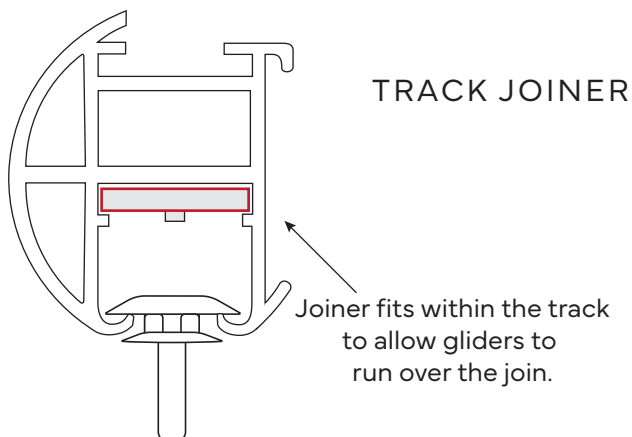
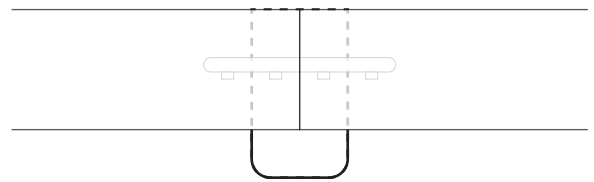


With careful installation gliders will pass over the track joins.
there is no limit to maximum track length

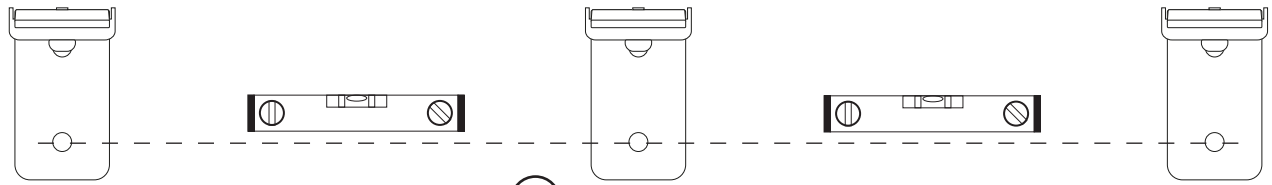
- 2 Ensure joins are butted together tightly before tightening lock screws



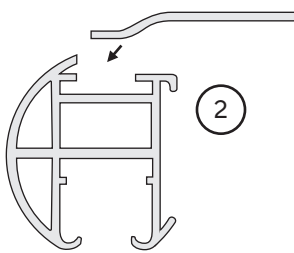
- 3 Place a support bracket on join (if this isn't possible, bracket needs to be as close as possible to join)



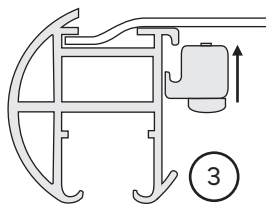
FACE FIXING



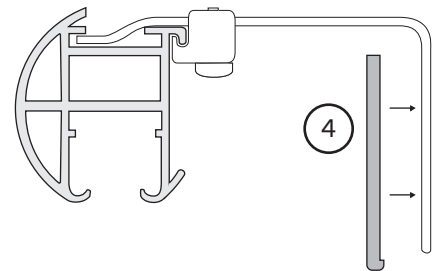
1 Ensure your markings are level and fix your brackets to the wall



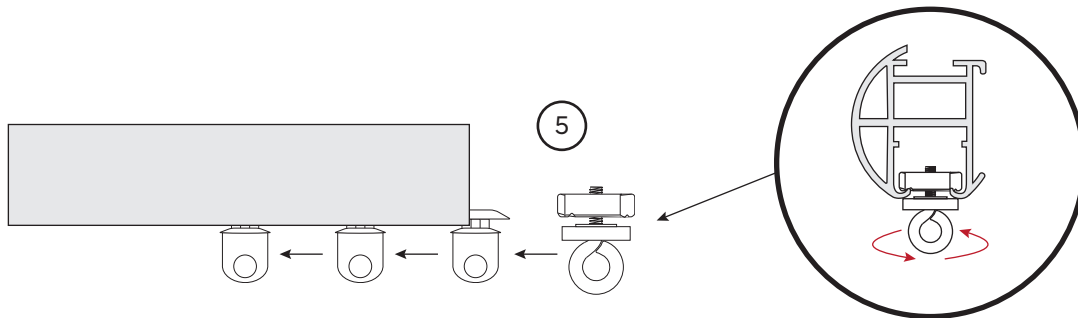
2



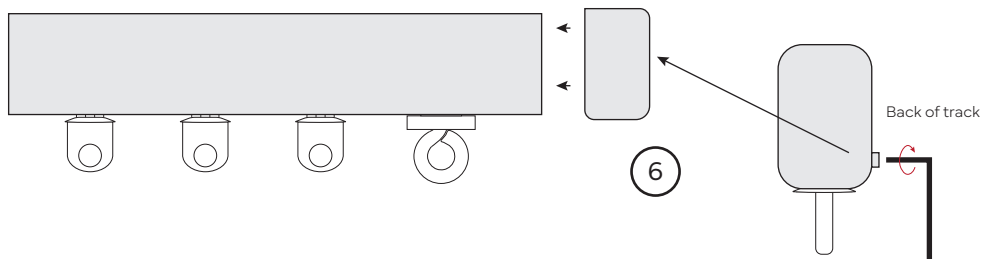
3



4

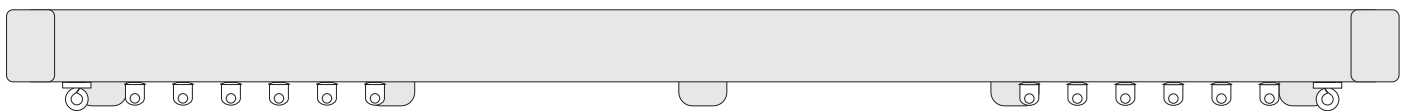


5



6

Back of track

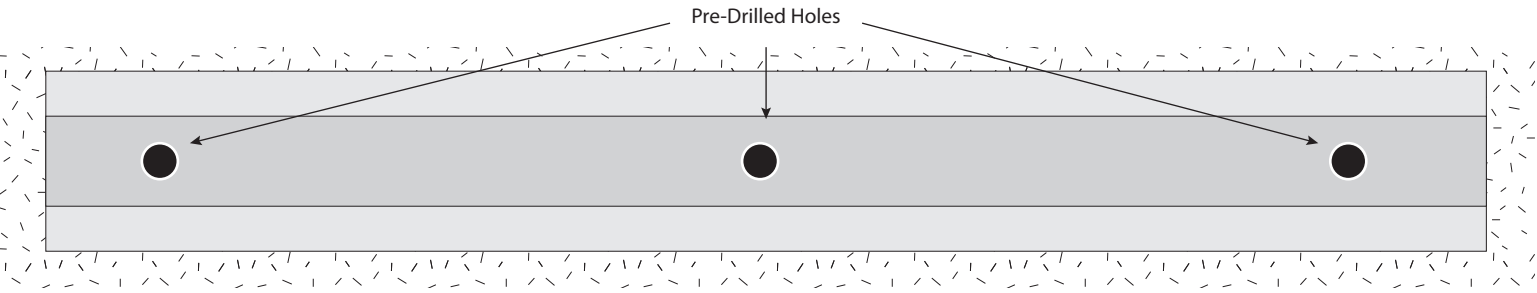


120cm maximum spacing between brackets

8cm max
(from end of track)

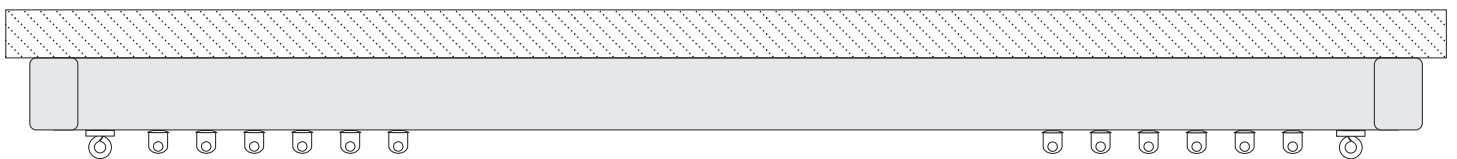
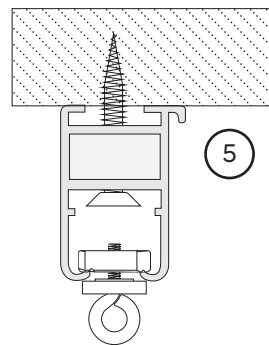
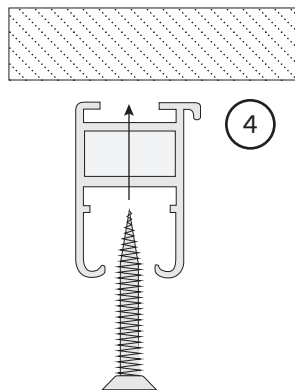
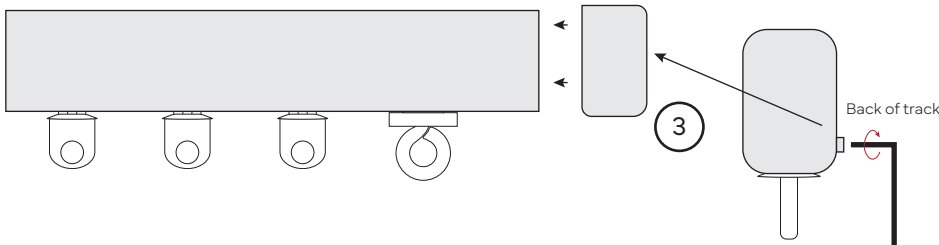
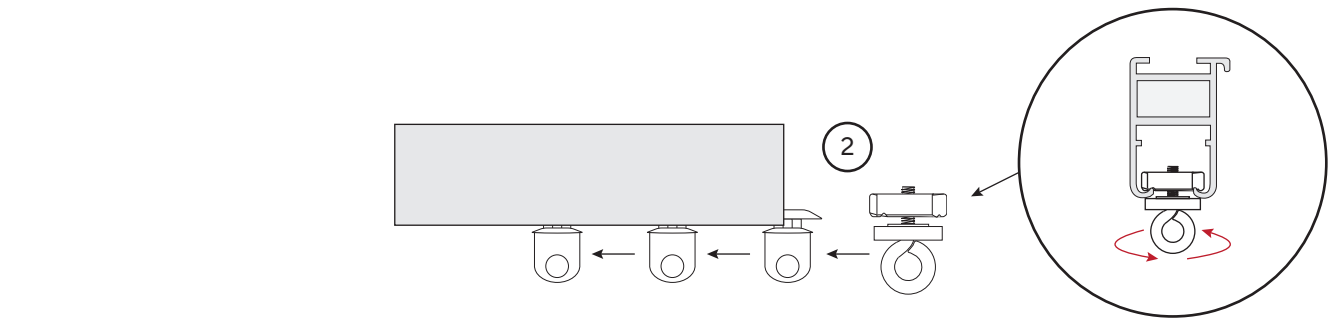


TOP FIXING



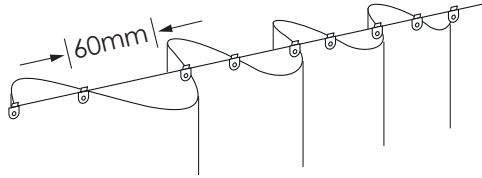
① Use pre-drilled holes within track to mark ceiling.

(If track isn't pre-drilled, create holes where needed before marking ceiling)



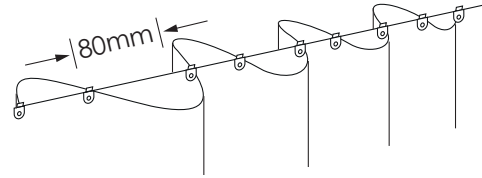
SURF GLIDER & GLIDER BRAKE

SURF 60



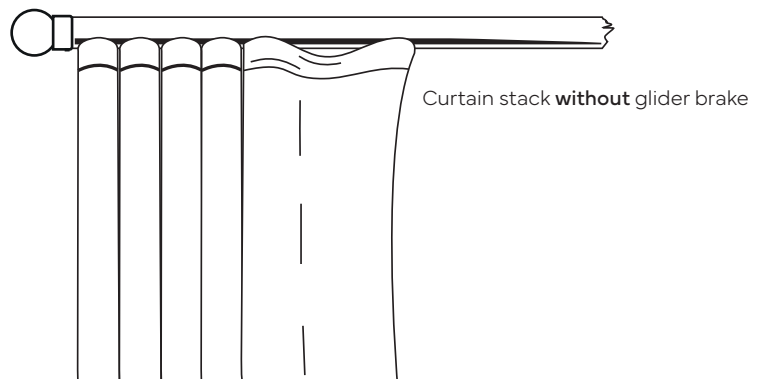
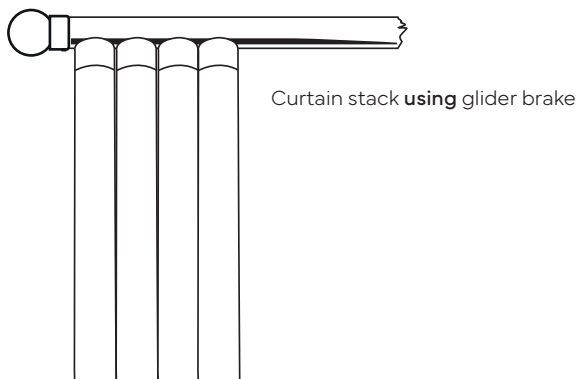
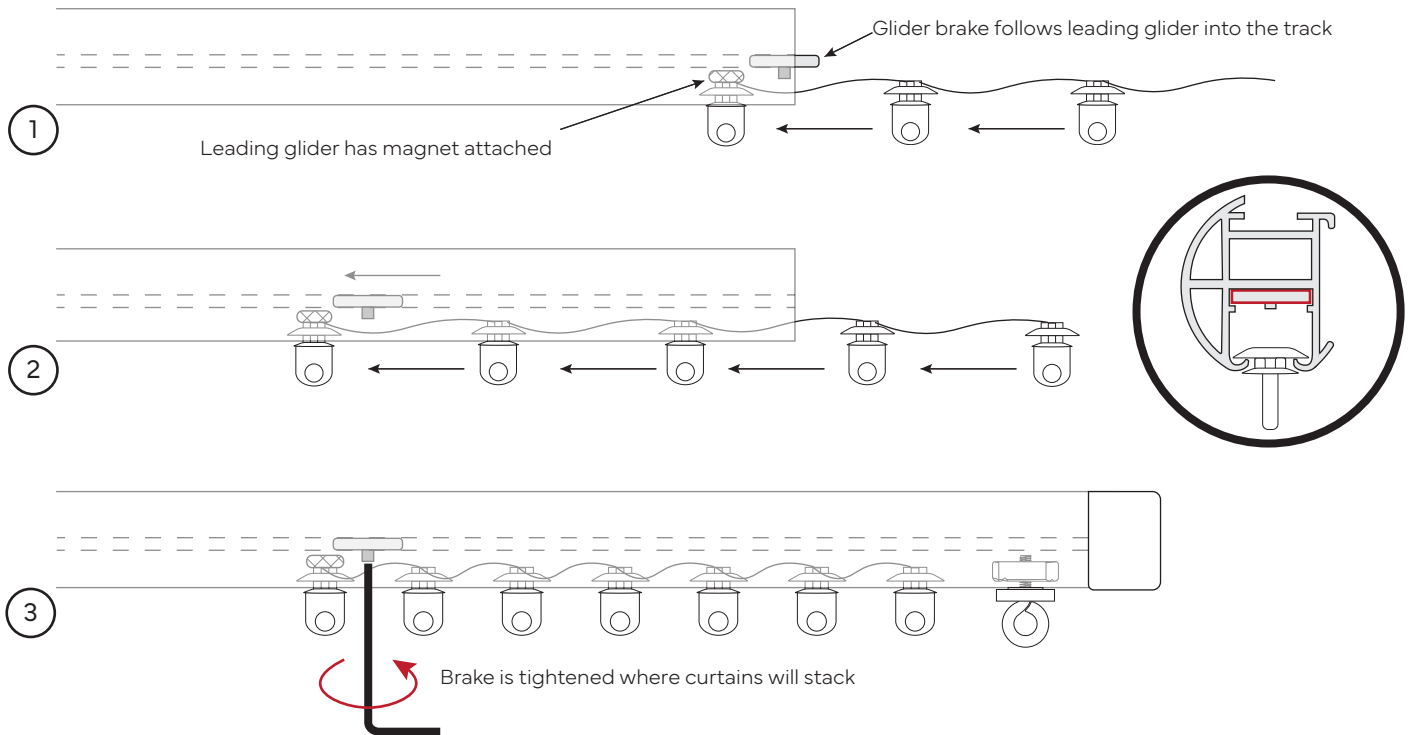
Standard wall brackets will allow curtains to stack back correctly with SURF60

SURF 80

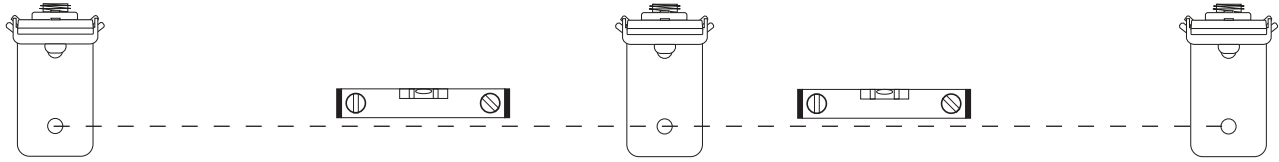


Use adjustable (75mm-110mm) wall brackets to allow curtains to stack back correctly with SURF80

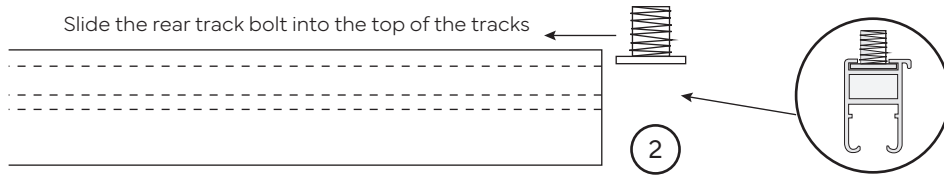
MAGNETIC GLIDER BRAKE to ensure curtains stay stacked back



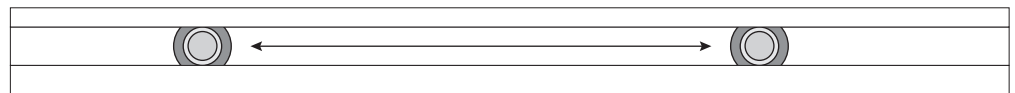
DOUBLE TRACKS



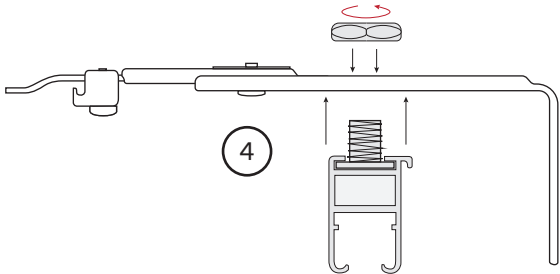
1 Ensure your markings are level and fix your brackets to the wall



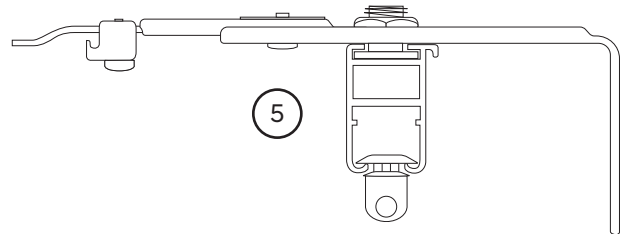
Square30 track C



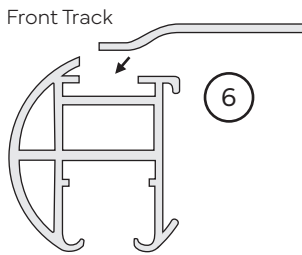
3 Slide bolts along track to match the bracket locations



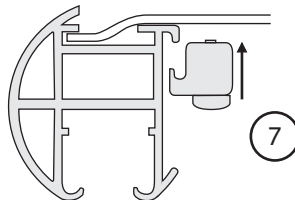
4



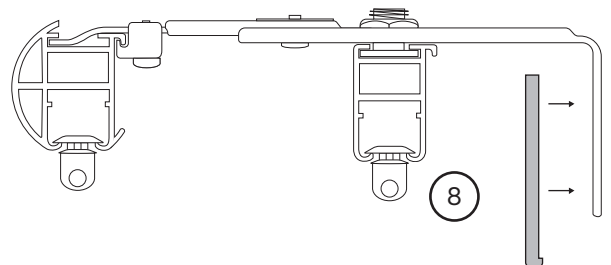
5



6

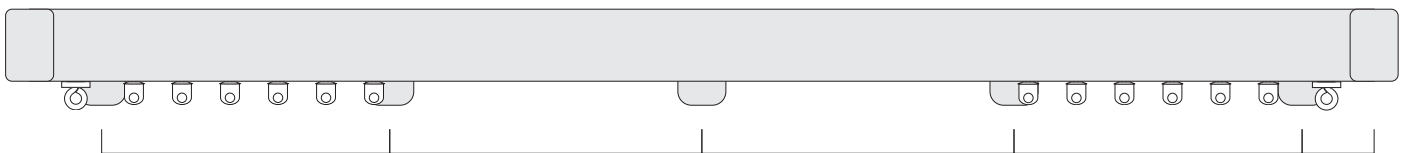


7



8

FOLLOW STANDARD INSTRUCTIONS FOR INSTALLING GLIDERS AND END STOPS

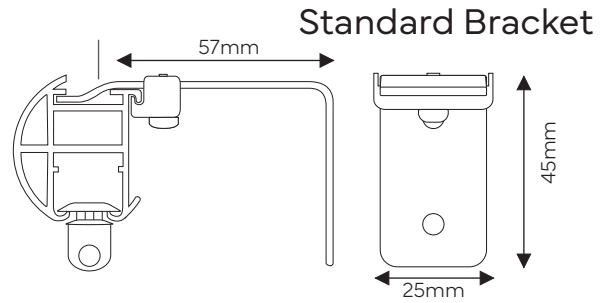
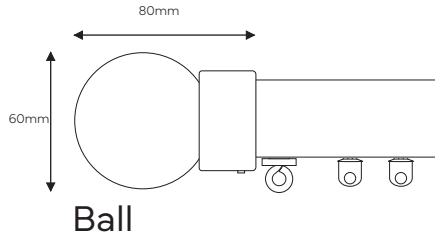
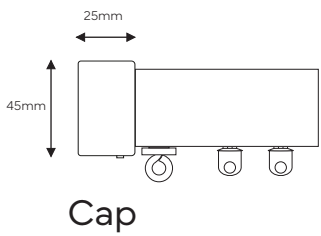


120cm maximum spacing between brackets

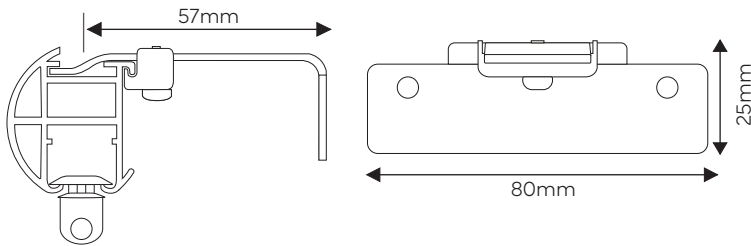
8cm max
(from end of track)



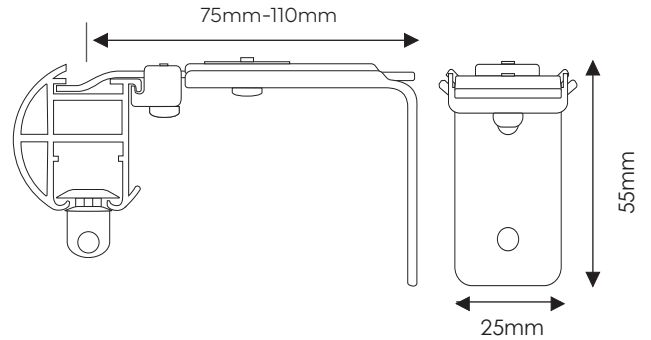
TECHNICAL DETAILS



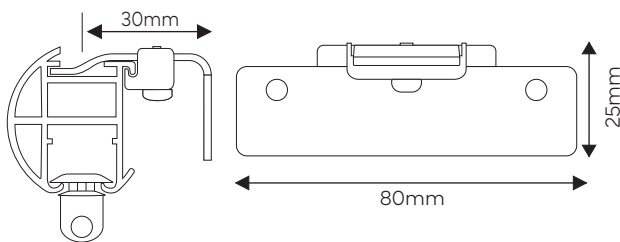
'Standard' Horizontal Bracket



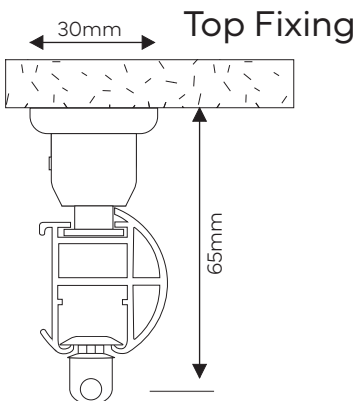
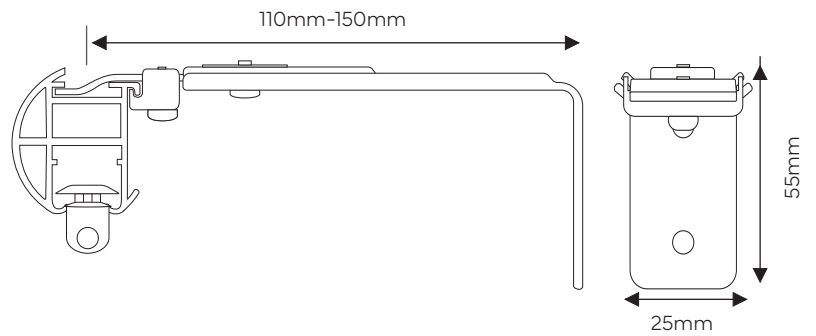
Adjustable Bracket (75mm-110mm)



'Short' Horizontal Bracket



Adjustable Bracket (110mm-150mm)



Double Track Bracket

