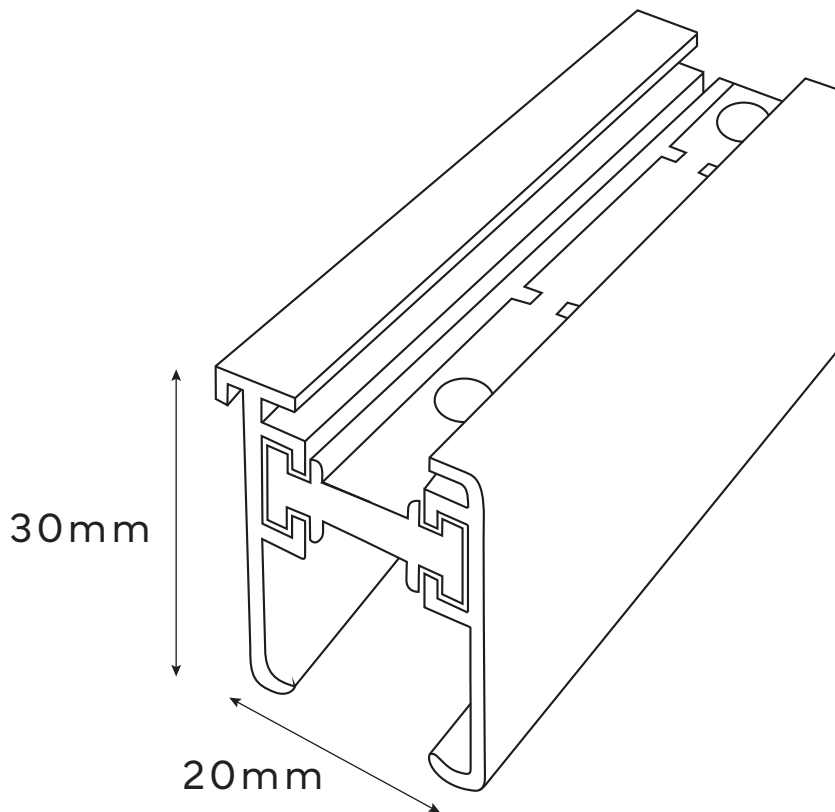
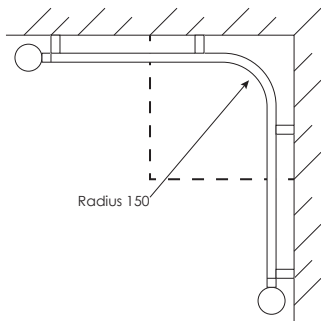


SQUARE30 BENDABLE INSTRUCTIONS

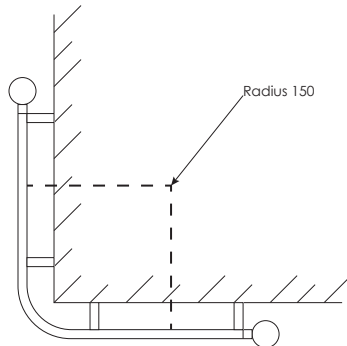


- ① BENDING INFORMATION
- ② JOINING THE TRACK
- ③ BRACKET INFO & TRIMMING
- ④ BENDING INSTRUCTIONS
- ⑤ FACE FIXING
- ⑥ TOP FIXING
- ⑦ SURF GLIDERS & GLIDER BRAKES
- ⑧ DOUBLE TRACKS
- ⑨ TECHNICAL DETAILS

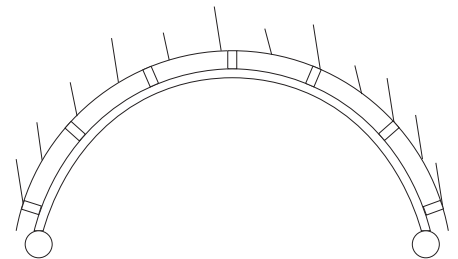
BENDING INFORMATION



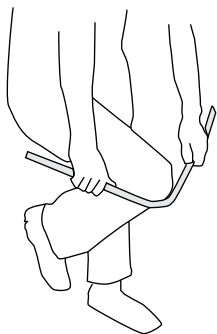
FORWARD BENDS



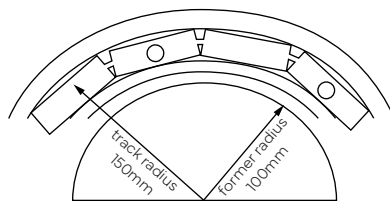
REVERSE BENDS



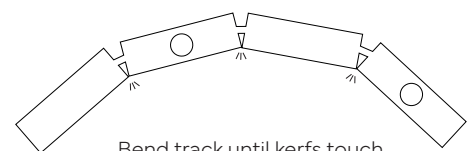
CONTINUOUS BENDS



Bendable by hand



A former can be supplied to help with bending
(former with spring back gives track bend radius of 150mm)



Bend track until kerfs touch
(DO NOT bend any further)

ALWAYS BEND TRACK TOWARDS AN OPEN END

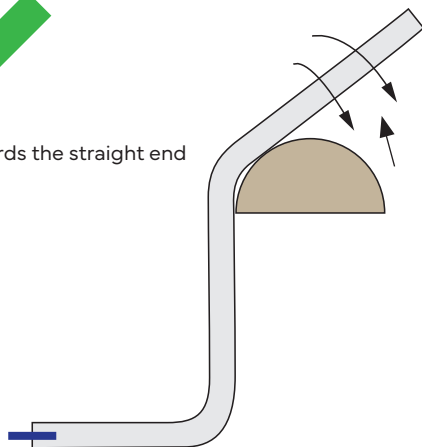
If you have a joiner, insert the joiner into one half the track before bending.

This will help keep the centre ends flush for a smoother join.

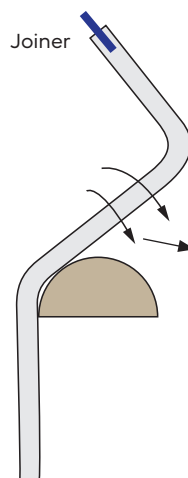
(next page)



Bend towards the straight end



Joiner



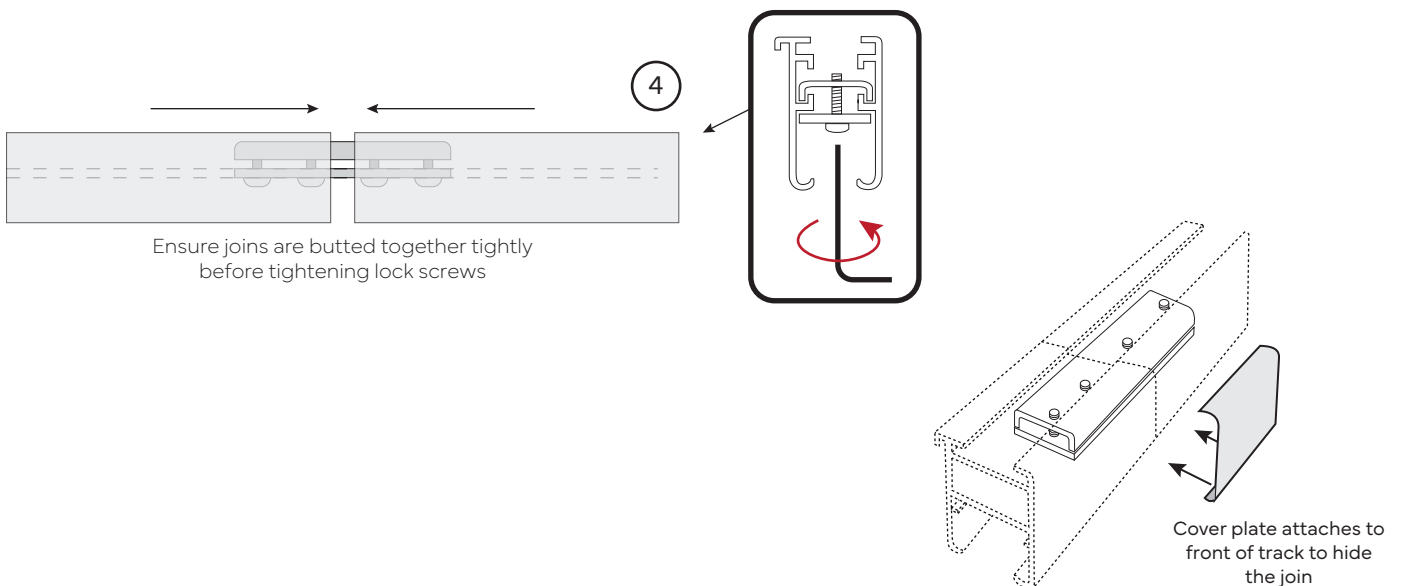
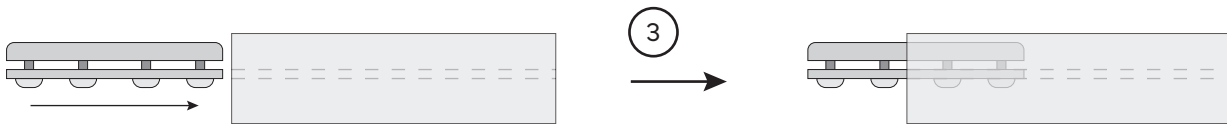
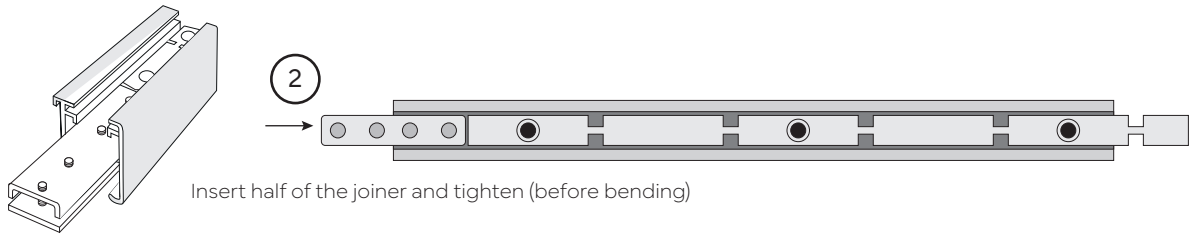
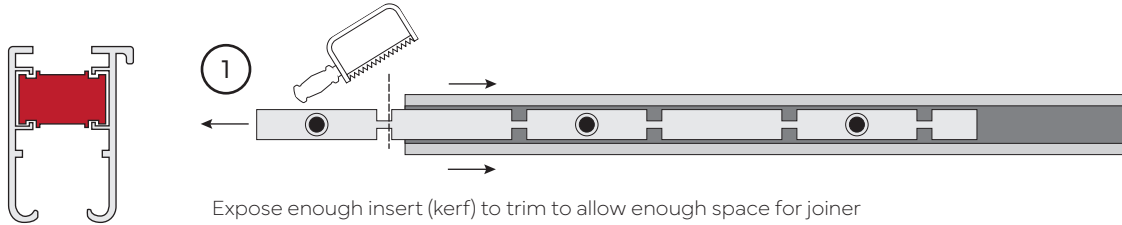
NOT LIKE THIS

DO NOT try to bend towards another bend.

This method causes internal stress in the track which can cause the gliders to jam

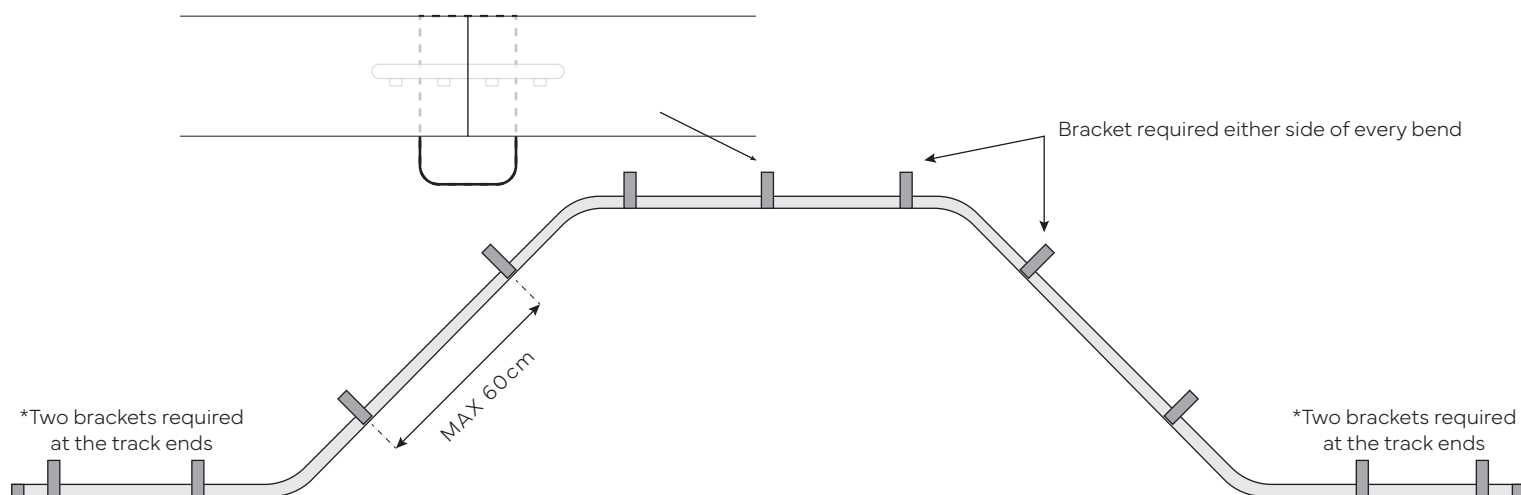
JOINING THE TRACK

JOINER MUST BE INSERTED BEFORE BENDING
OTHERWISE YOU WOULD NEED TO TRIM AT THE JOIN

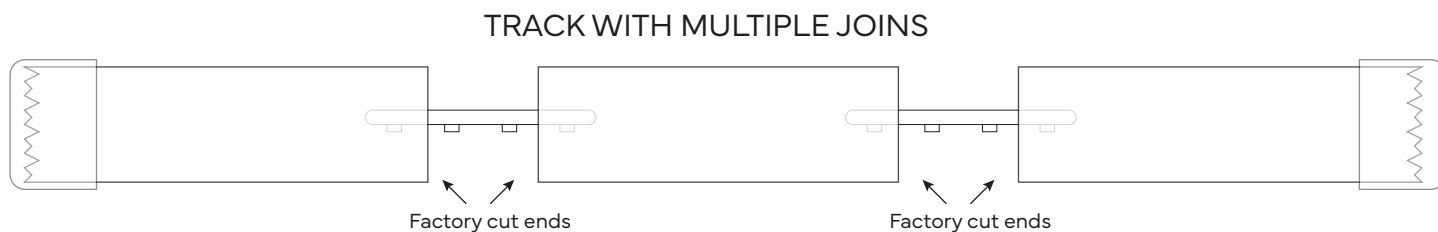
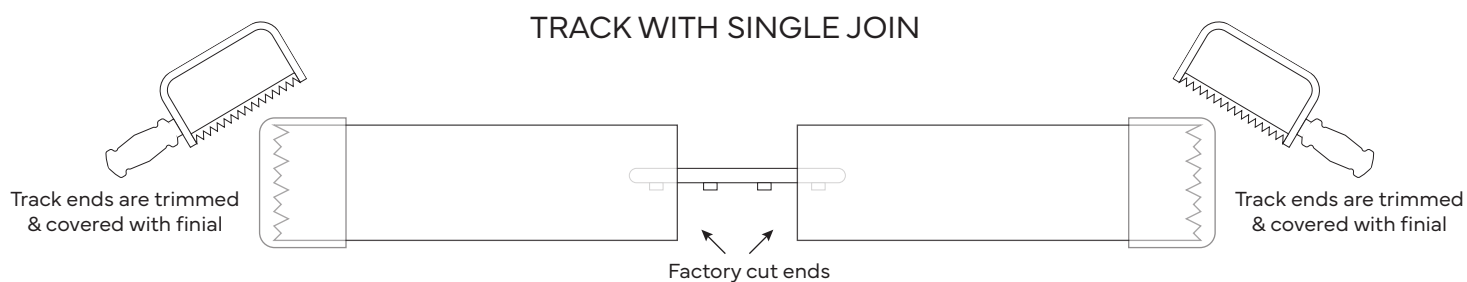


BRACKET INFORMATION AND TRACK TRIMMING

Place a support bracket on join
(if this isn't possible,
bracket needs to be as close as possible to join)



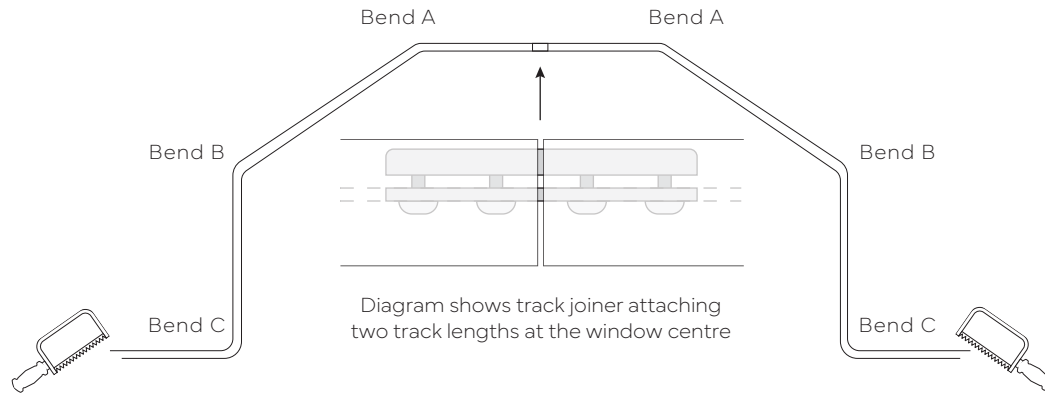
* TRACKS MUST BE TRIMMED AFTER BENDING *



With careful installation gliders will pass over the track joints.
there is no limit to maximum track length

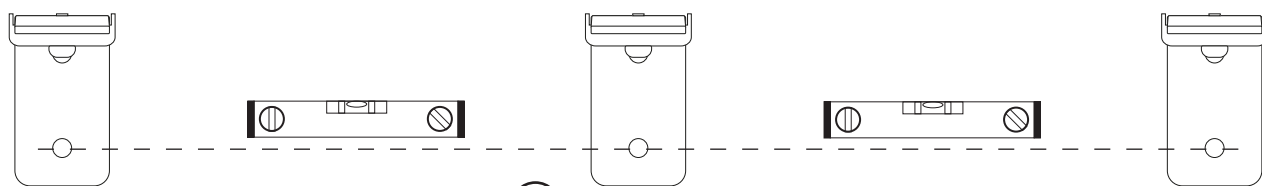


BENDING INSTRUCTIONS

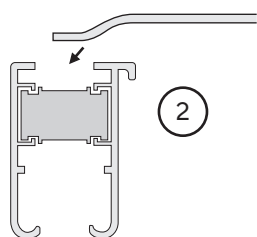


- 1 All tracks over 3.0m long are supplied in 2 pieces.
The track should be joined in the middle of the centre window or on a straight section of track.
- 2 Insert centre joiner, pushing the plastic filler (kerf) down the track and tighten the locking screws.
- 3 Bend from the centre working outwards from Bend A, then Bend B, then Bend C.
Complete each bend before moving onto the next bend.
- 4 Because the joiner has been inserted and tightened, any unevenness in the track lengths should now be at the end of the track ready to be trimmed.
- 5 (Skip this part if your track is one single length)
Remove the centre joiner and insert into other half of the track and repeat the process from part 3.
- 6 Once the track is bent to your required shape, join the tracks together (if needed) and trim off the uneven ends of the track.
- 7 Fit the track to the wall fixing bracket or directly to the ceiling (*see Face fix or Ceiling fix pages*)
- 8 If you have surf gliders and glider brakes, read that page before going further.
- 9 When the track is up slide the gliders inside followed by the end stop to fixed towards the end to anchor the curtains.
- 10 Finally, fit the finials onto the end of the track to cover the trimmed edges and attach the track cover to hide the join.

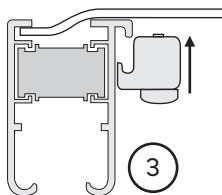
FACE FIXING



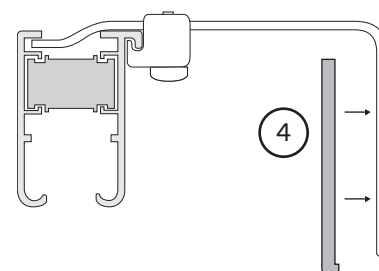
1 Ensure your markings are level and fix your brackets to the wall



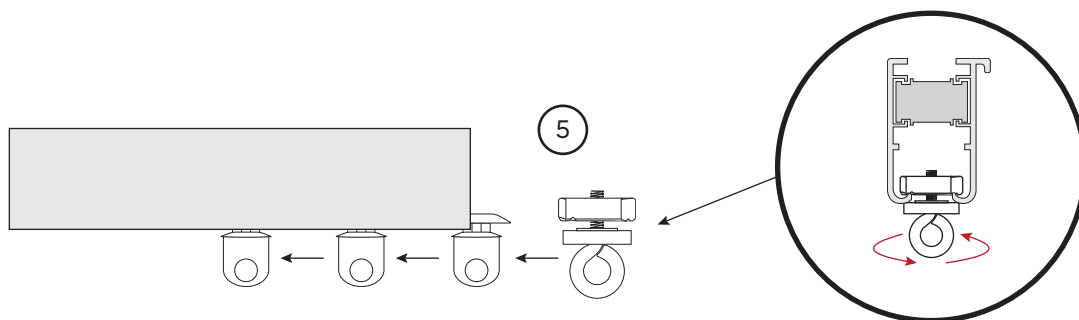
2



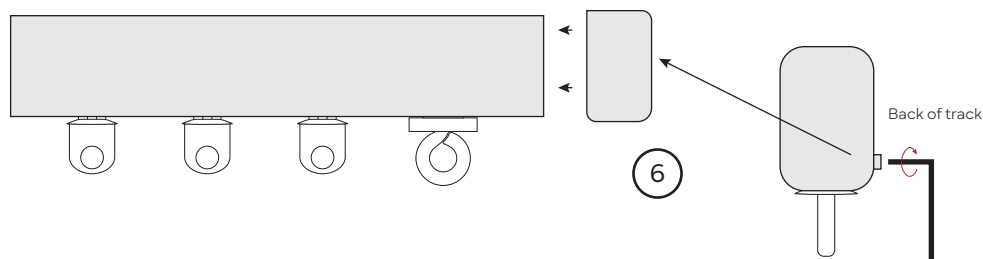
3



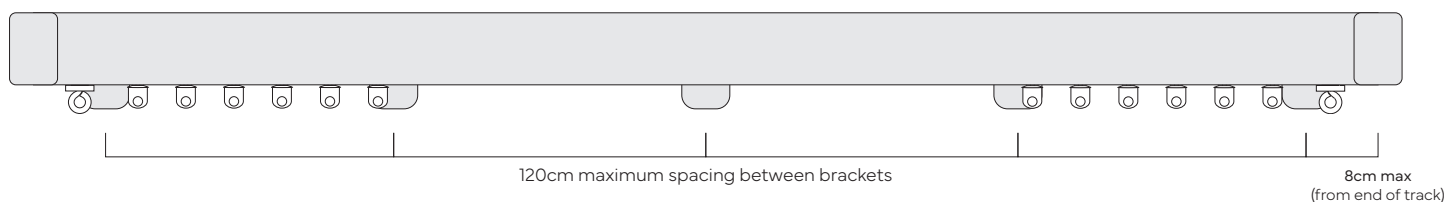
4



5



6

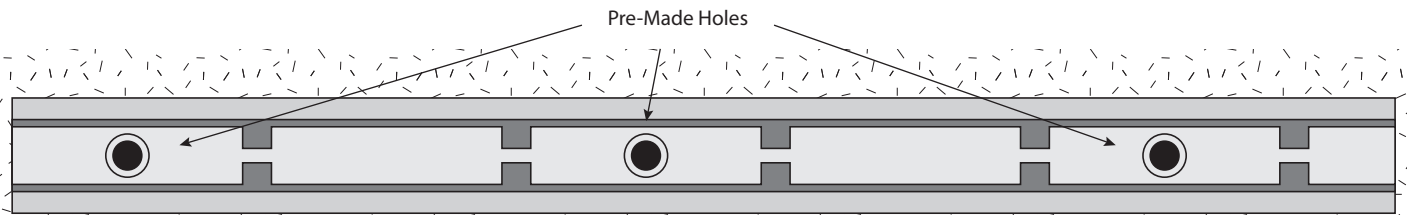


120cm maximum spacing between brackets

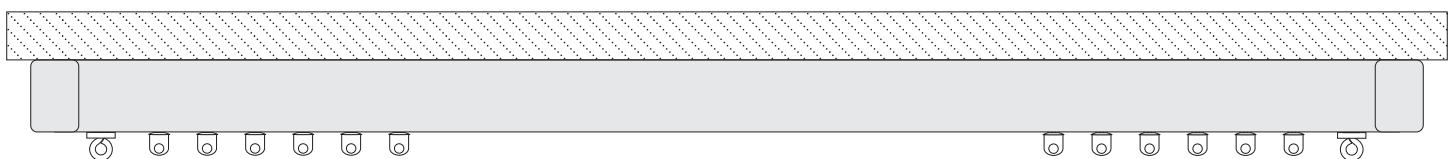
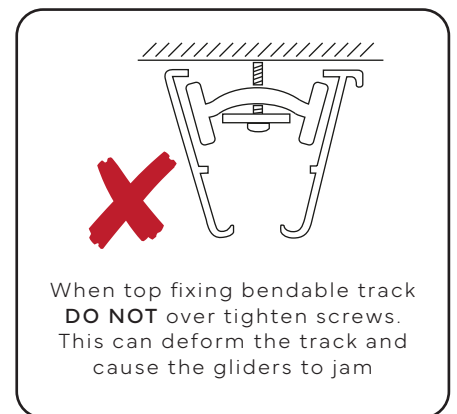
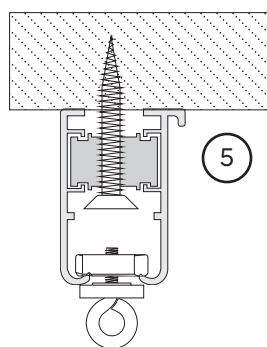
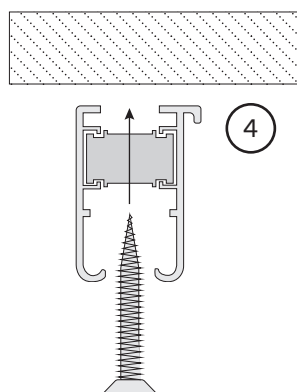
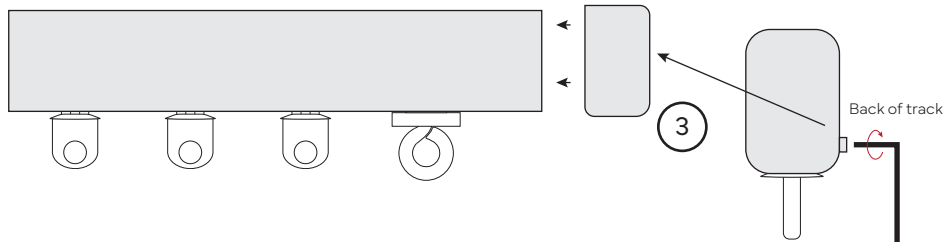
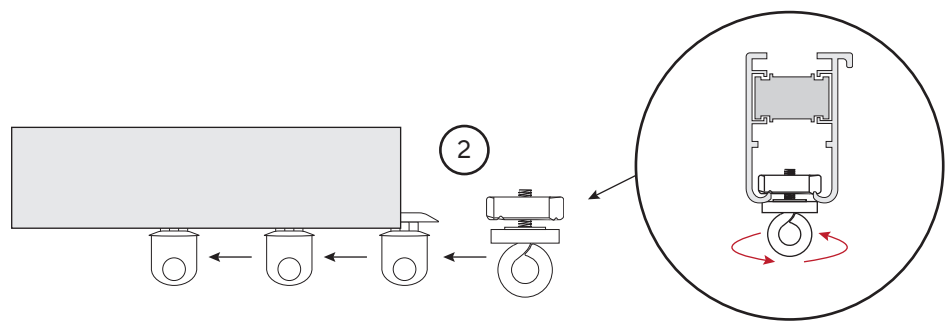
8cm max
(from end of track)



TOP FIXING

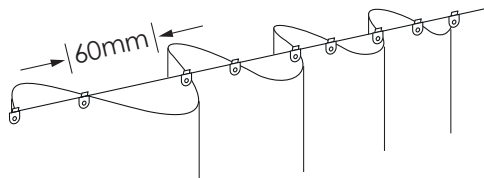


① Use pre-made holes within track to mark ceiling.



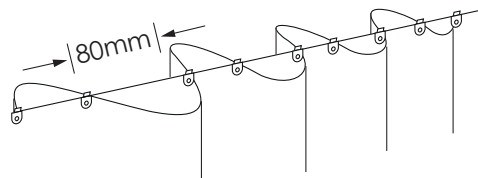
SURF GLIDER & GLIDER BRAKE

SURF 60



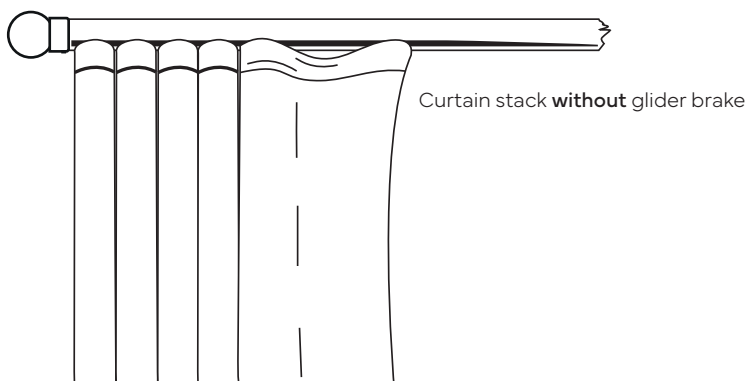
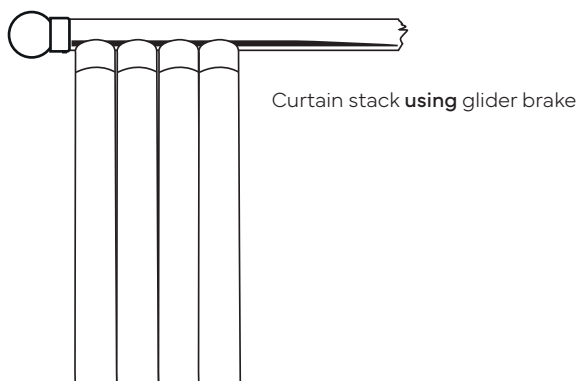
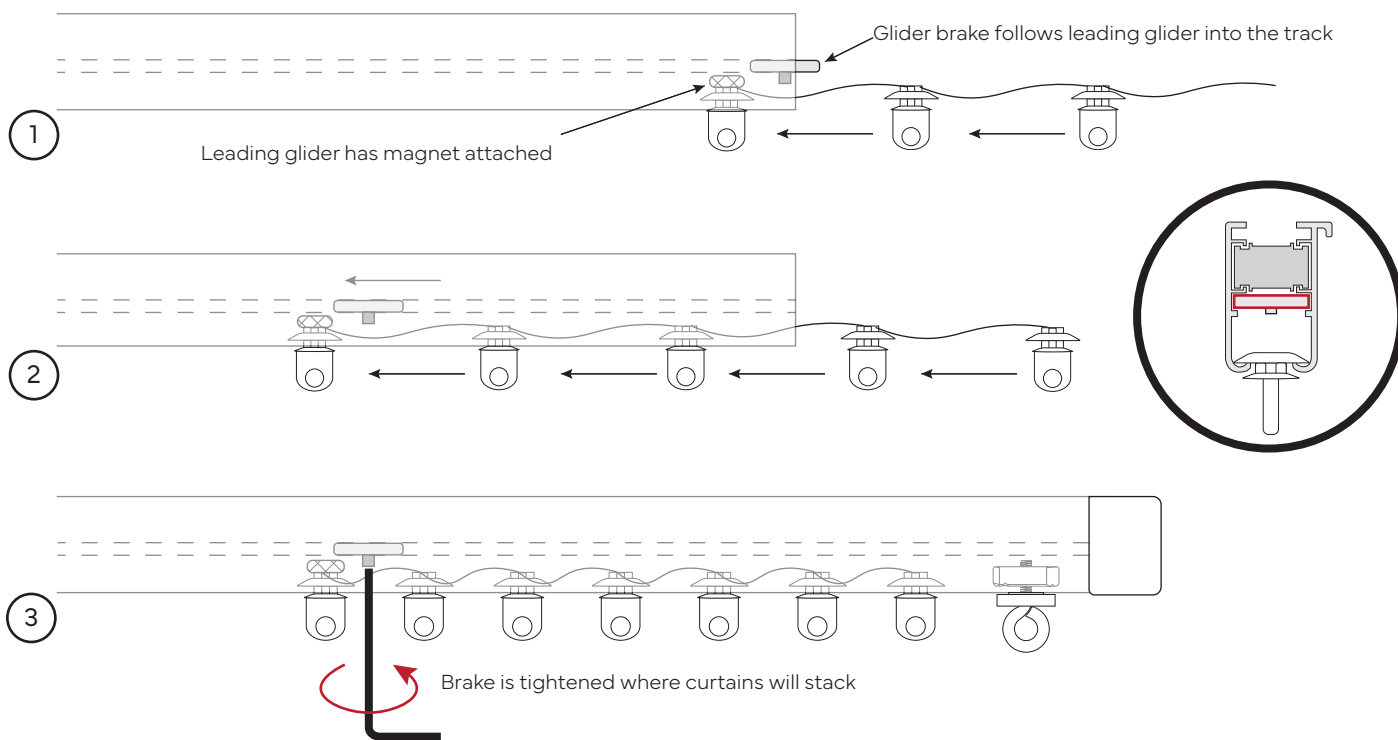
Standard wall brackets will allow curtains to stack back correctly with SURF60

SURF 80

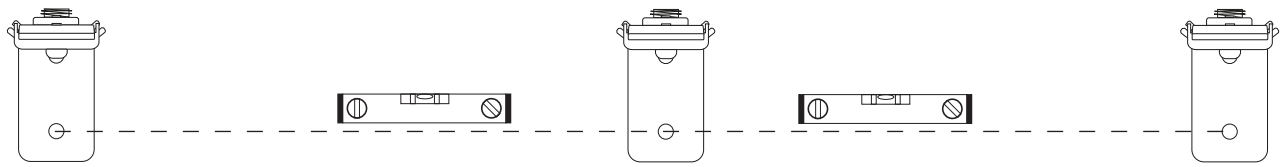


Use adjustable (75mm-110mm) wall brackets to allow curtains to stack back correctly with SURF80

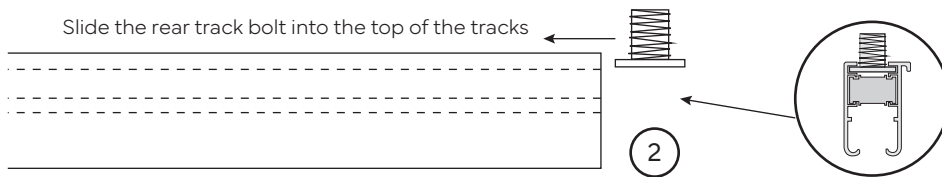
MAGNETIC GLIDER BRAKE to ensure curtains stay stacked back



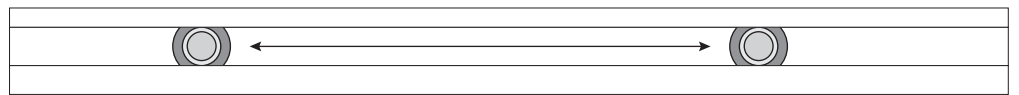
DOUBLE TRACKS



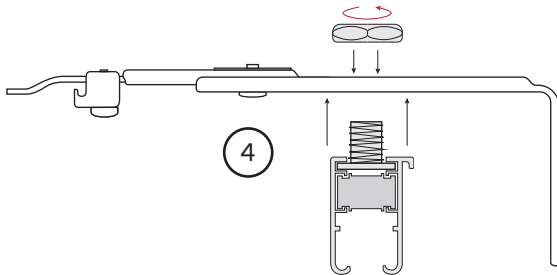
1 Ensure your markings are level and fix your brackets to the wall



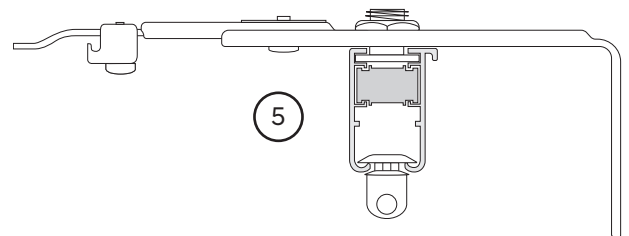
2



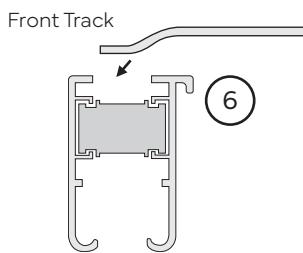
3 Slide bolts along track to match the bracket locations



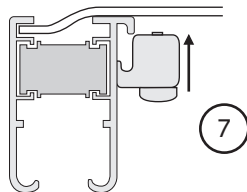
4



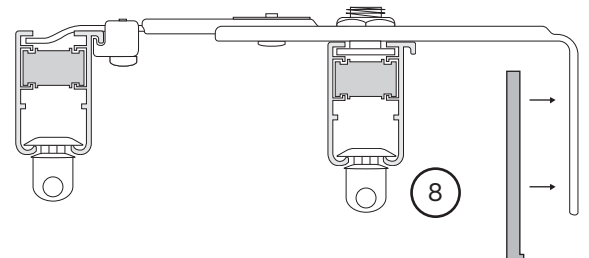
5



6

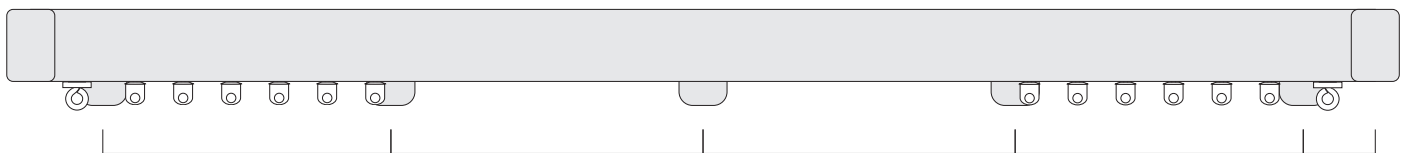


7



8

FOLLOW STANDARD INSTRUCTIONS FOR INSTALLING GLIDERS AND END STOPS

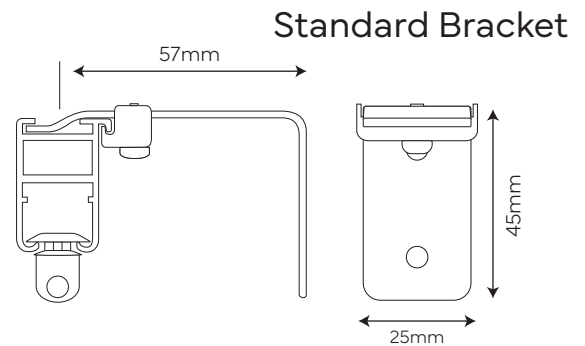
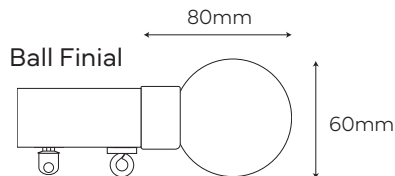
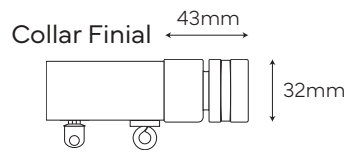
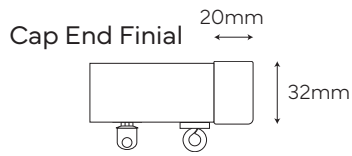


120cm maximum spacing between brackets

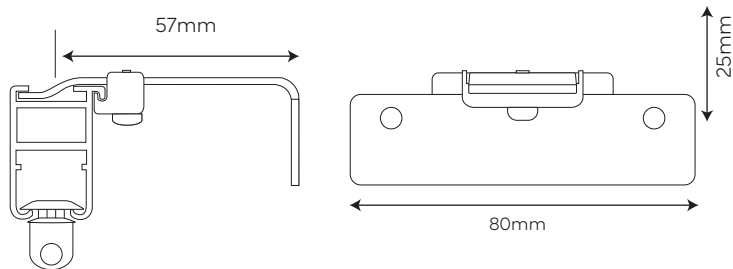
8cm max
(from end of track)



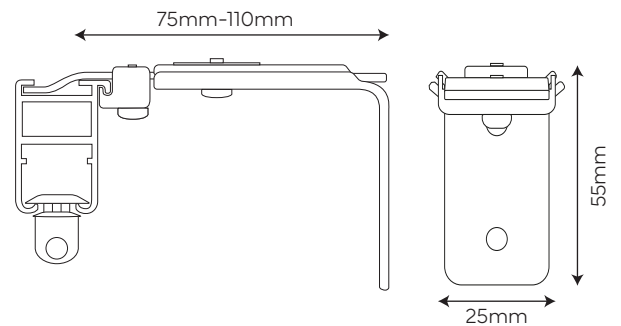
TECHNICAL DETAILS



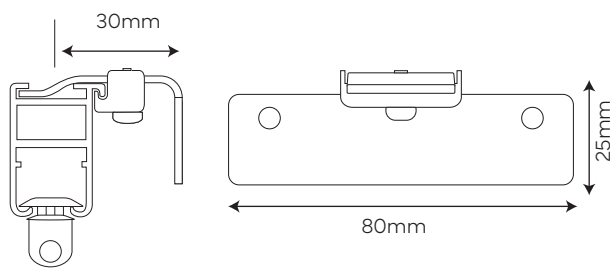
'Standard' Horizontal Bracket



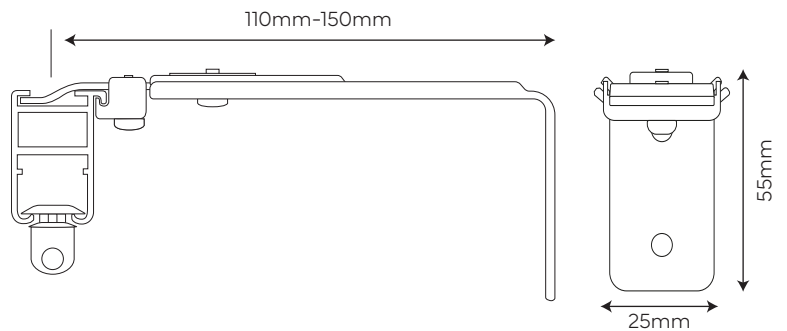
Adjustable Bracket (75mm-110mm)



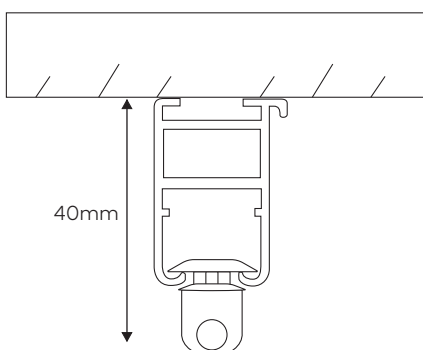
'Short' Horizontal Bracket



Adjustable Bracket (110mm-150mm)



Top Fixed



Double Track Bracket

