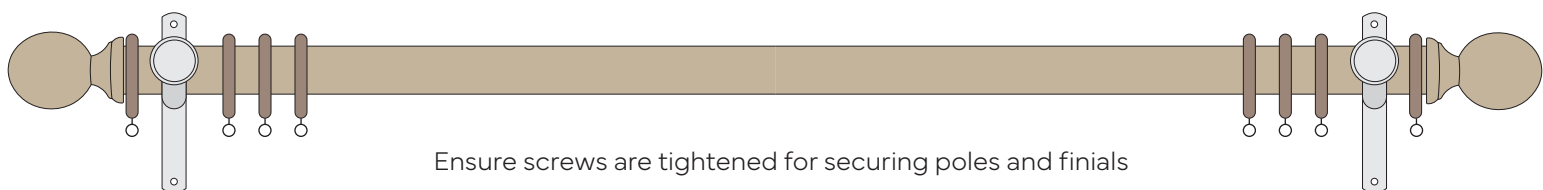
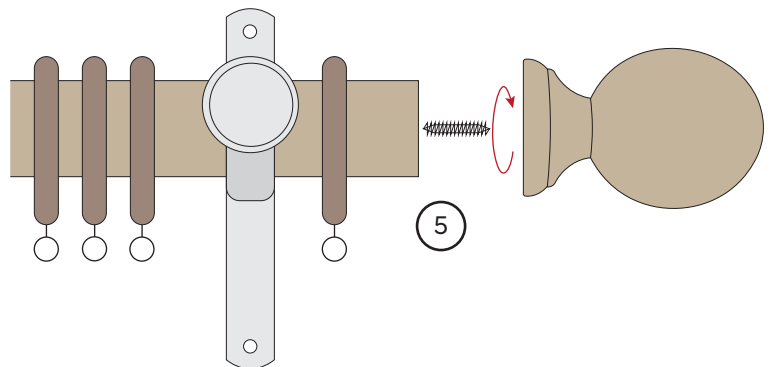
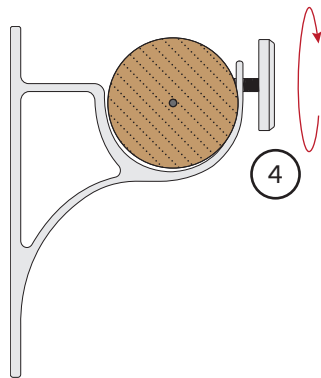
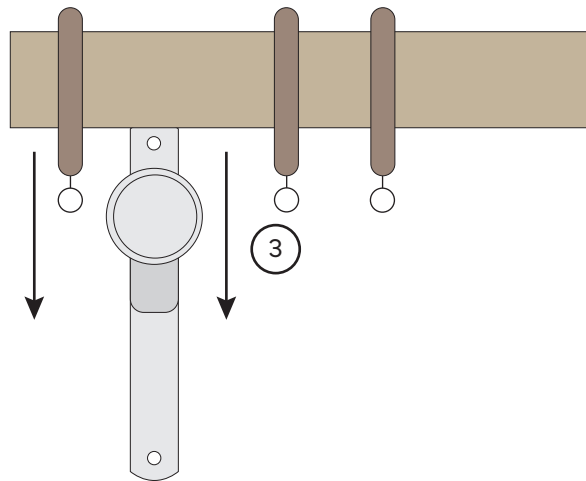
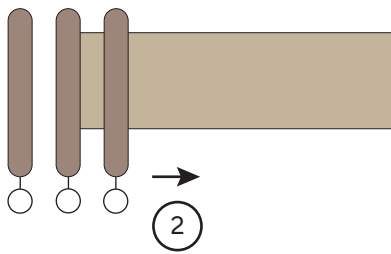
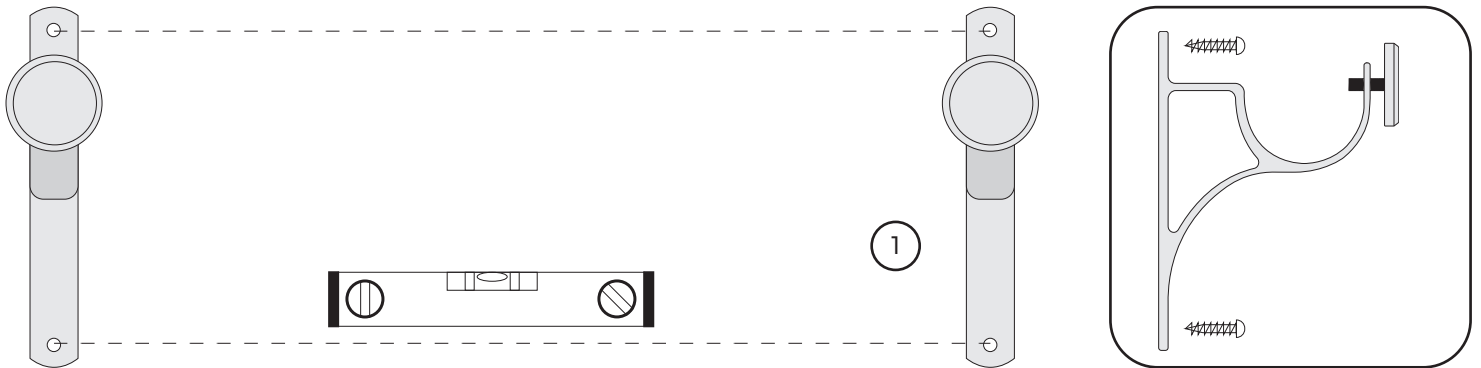
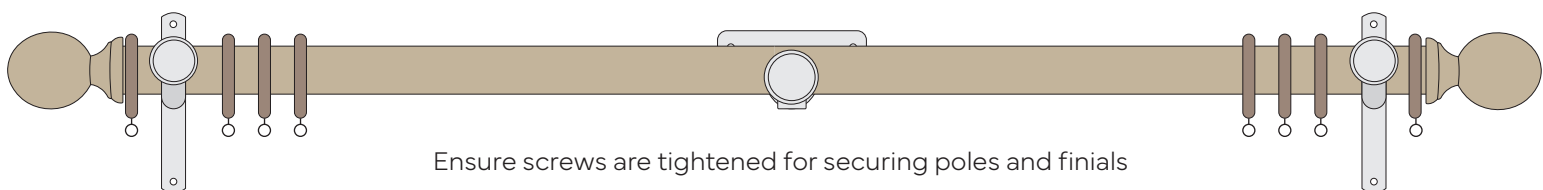
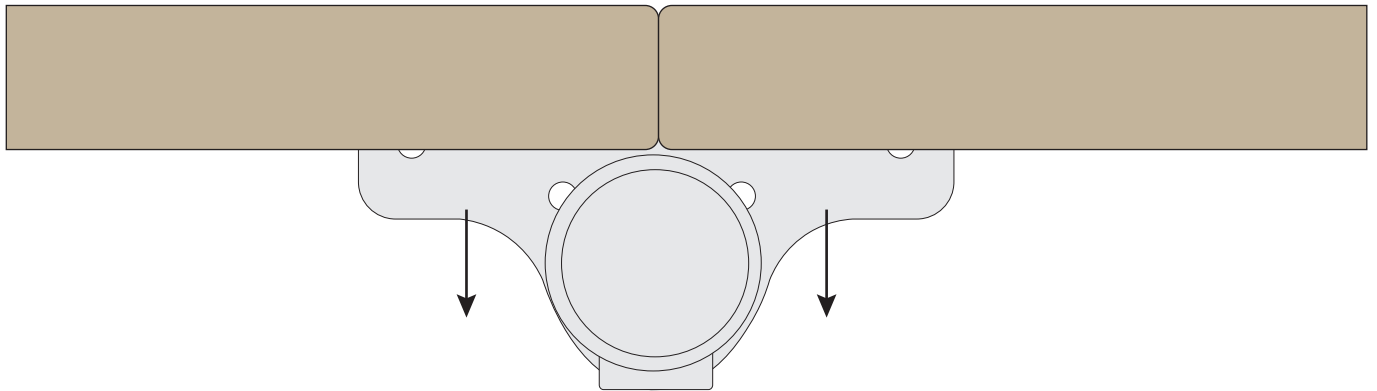
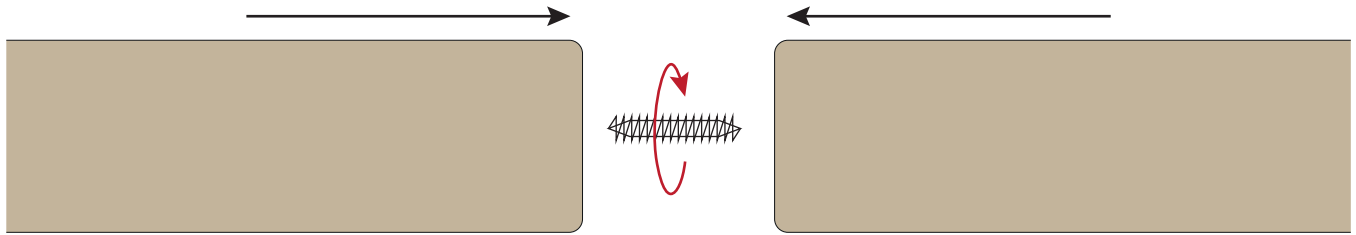


### WOOD POLE WITH BRASS BRACKETS



## WOOD POLE WITH BRASS BRACKETS

### POLE IN TWO PIECES + JOINING SCREW



Ensure screws are tightened for securing poles and finials