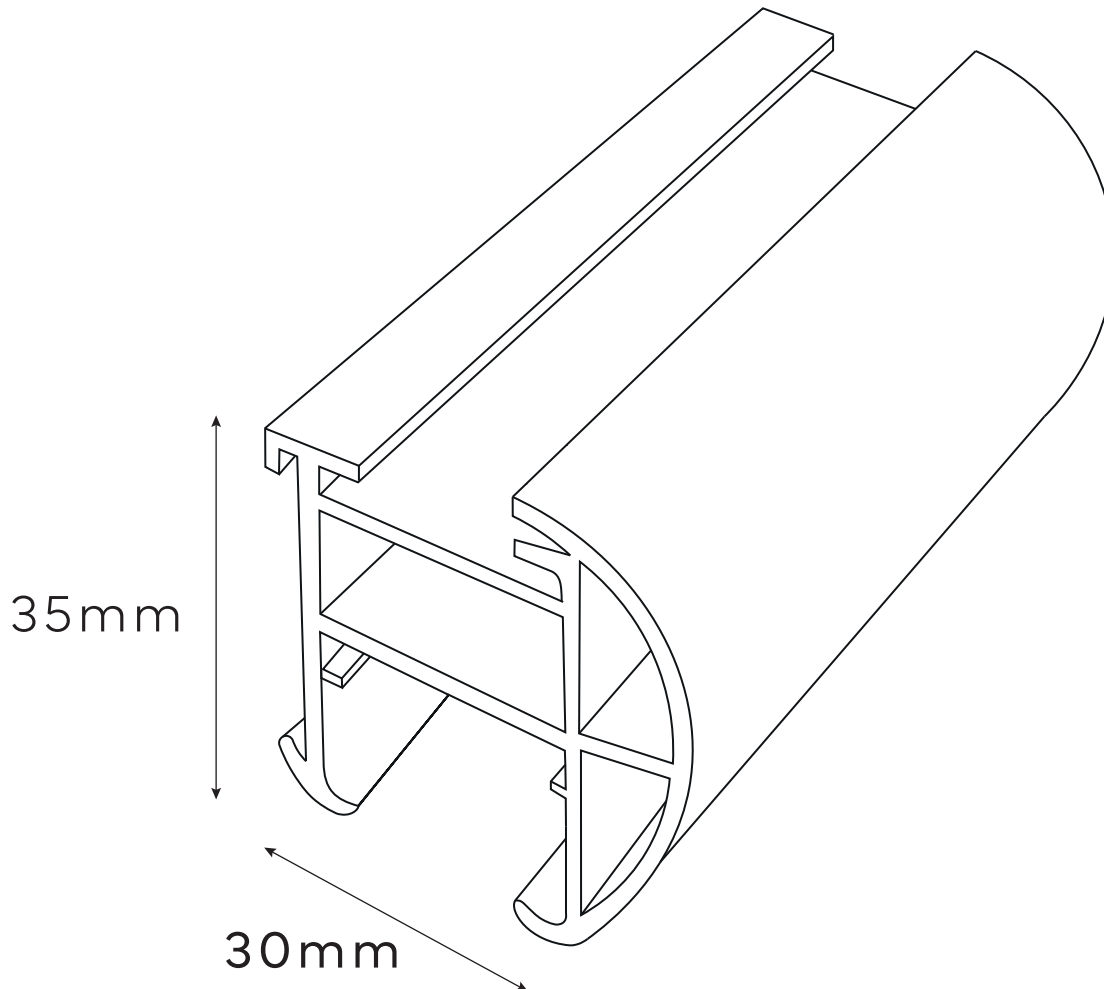


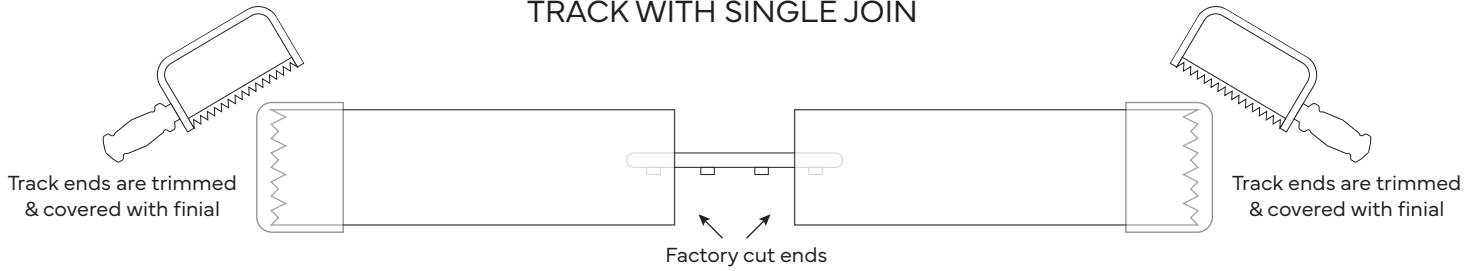
ROUND38 STRAIGHT INSTRUCTIONS



- ① TRACK TRIMMING AND JOINING
- ② FACE FIXING
- ③ TOP FIXING
- ④ SURF GLIDERS & GLIDER BRAKES
- ⑤ DOUBLE TRACKS
- ⑥ TECHNICAL DETAILS

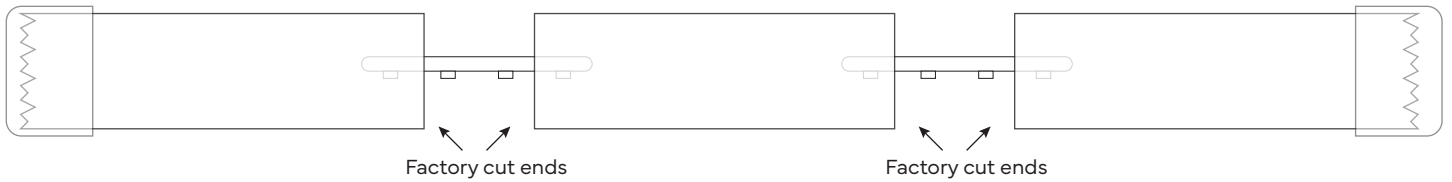
TRACK TRIMMING & JOINING

TRACK WITH SINGLE JOIN



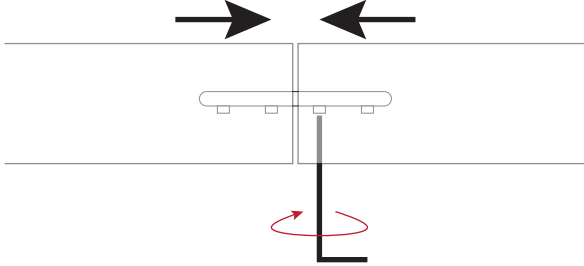
① Join factory cut ends and trim excess at track ends only

TRACK WITH MULTIPLE JOINS

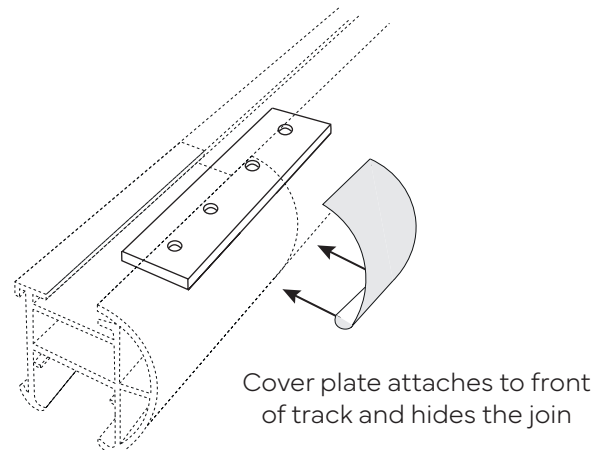
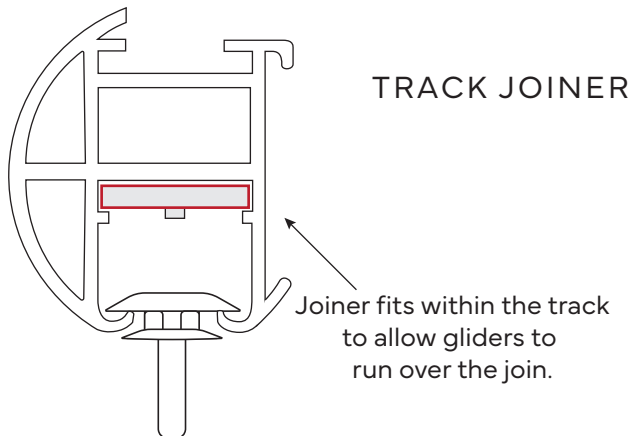
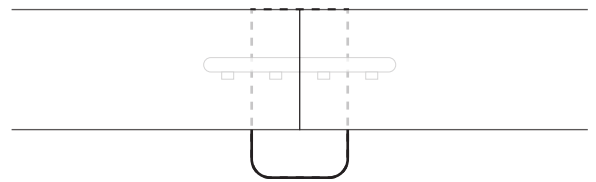


With careful installation gliders will pass over the track joins.
there is no limit to maximum track length

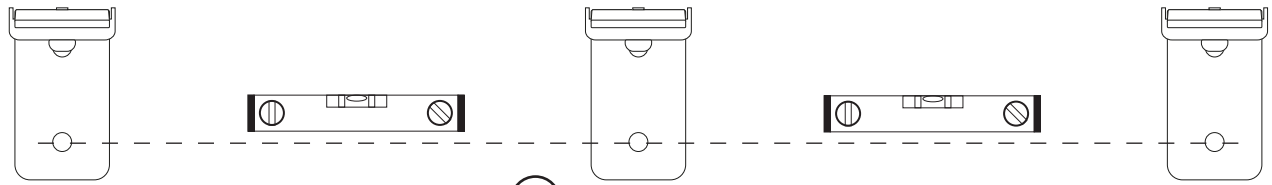
② Ensure joins are butted together tightly before tightening lock screws



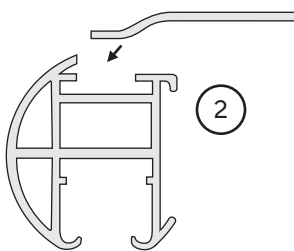
③ Place a support bracket on join (if this isn't possible, bracket needs to be as close as possible to join)



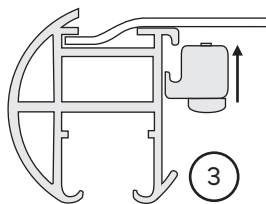
FACE FIXING



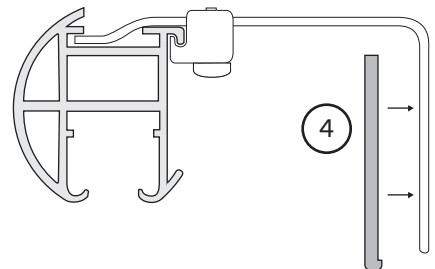
1 Ensure your markings are level and fix your brackets to the wall



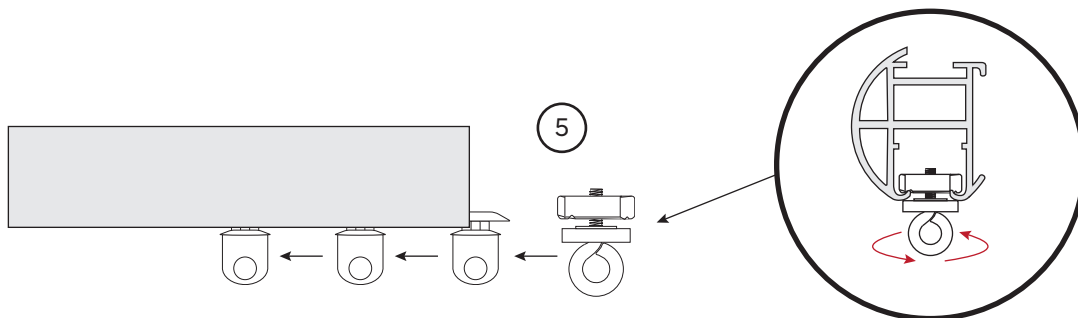
2



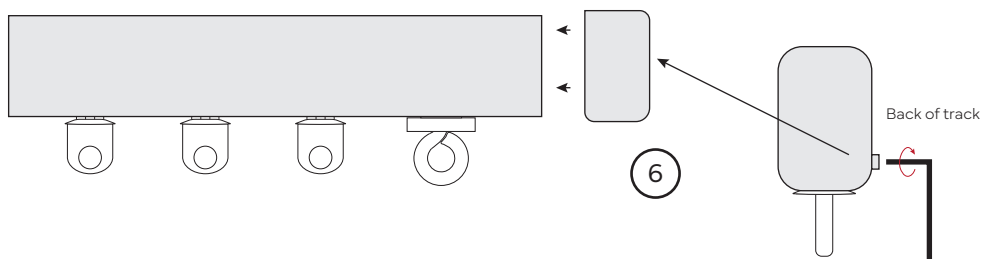
3



4

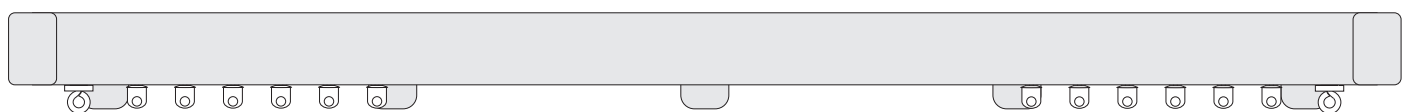


5



6

Back of track

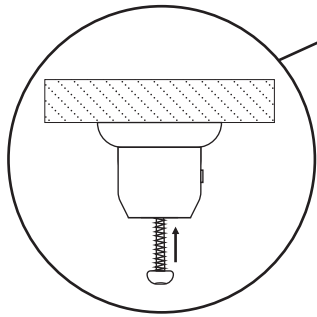
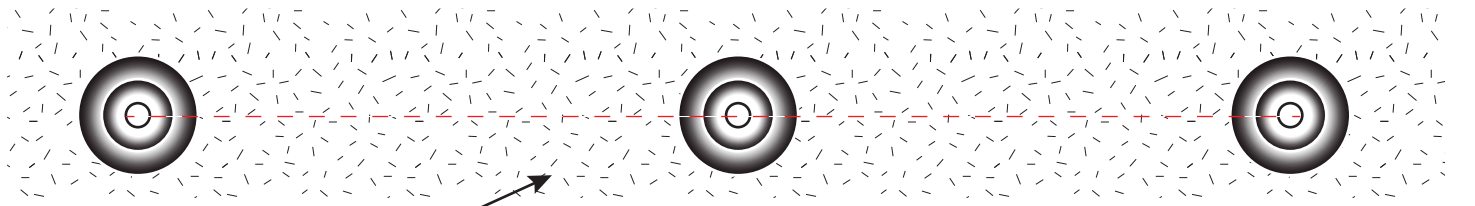


120cm maximum spacing between brackets

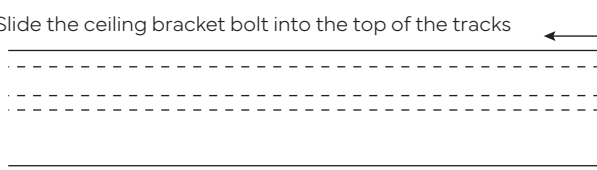
8cm max
(from end of track)



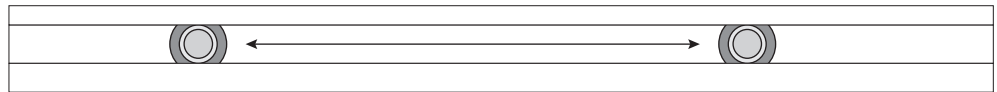
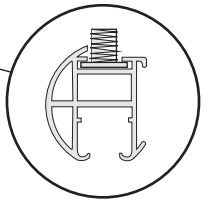
TOP FIXING



Slide the ceiling bracket bolt into the top of the tracks

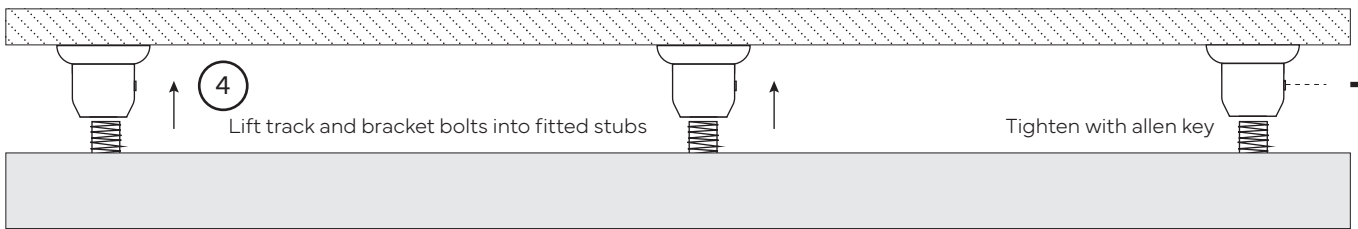


2



3

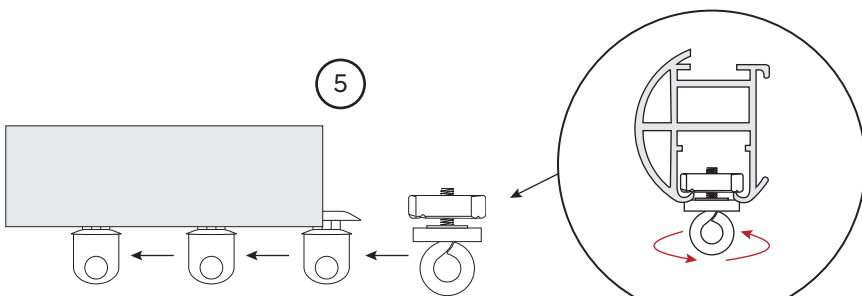
Slide bolts along track to match the bracket locations



4

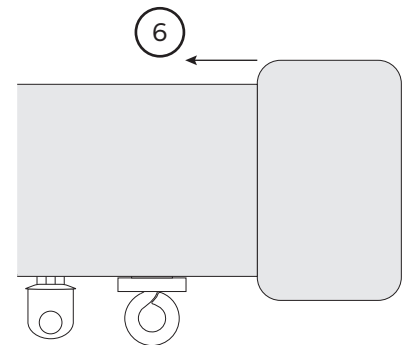
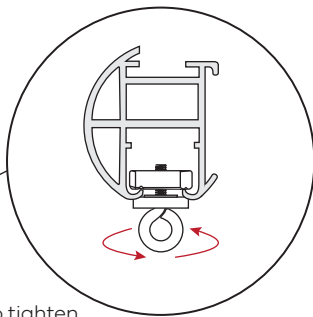
Lift track and bracket bolts into fitted stubs

Tighten with allen key



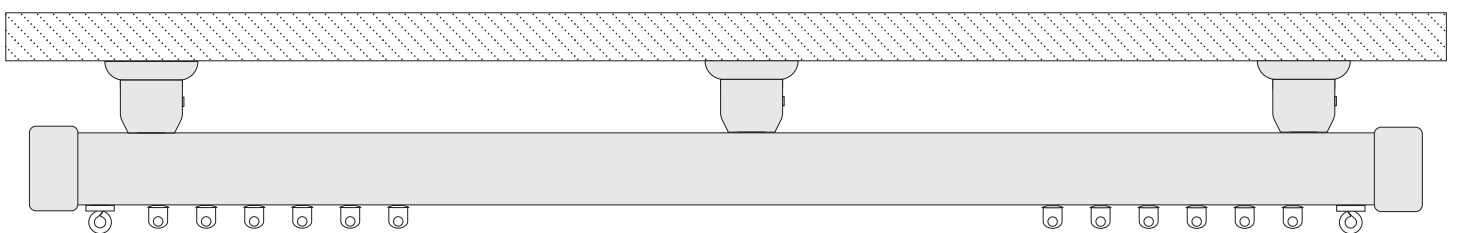
5

Insert gliders into track followed by end stop and twist to tighten



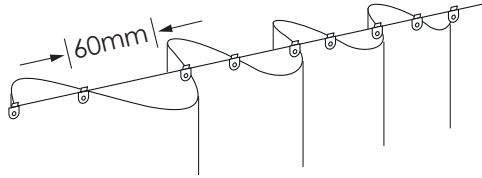
6

Slide finial onto track and tighten using allen key at the back



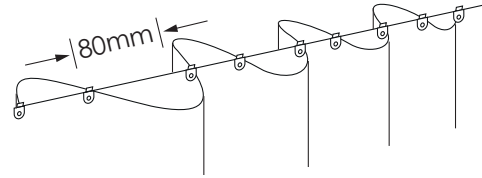
SURF GLIDER & GLIDER BRAKE

SURF 60



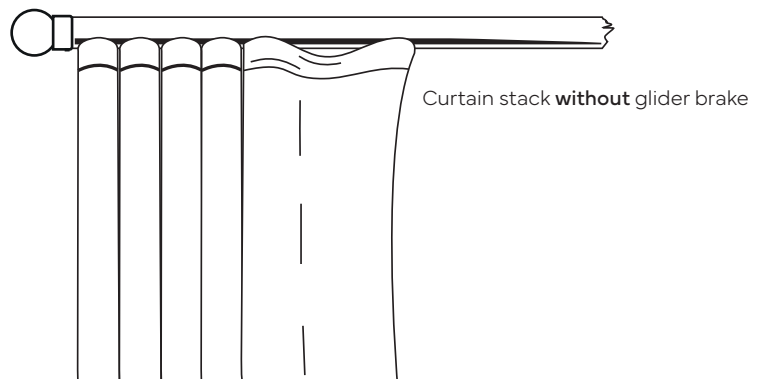
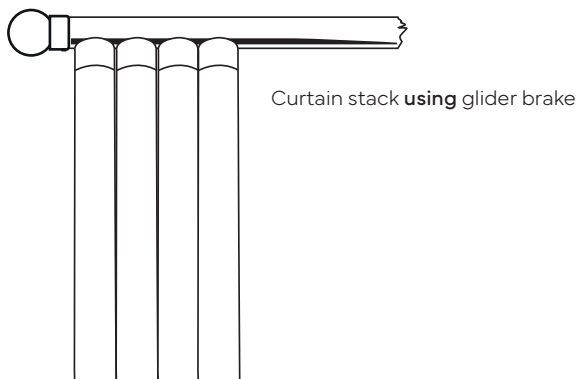
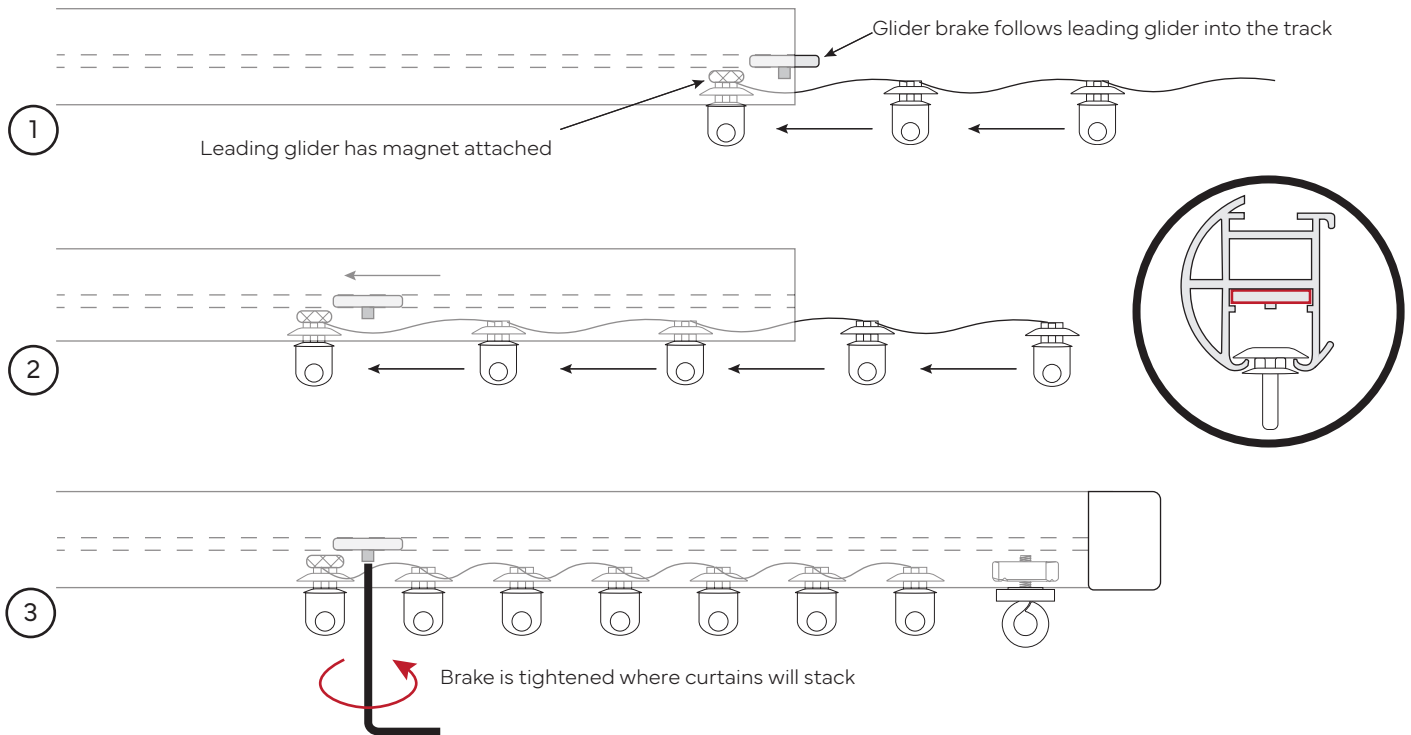
Standard wall brackets will allow curtains to stack back correctly with SURF60

SURF 80

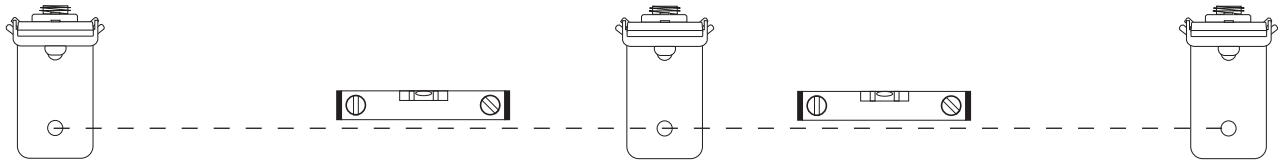


Use adjustable (75mm-110mm) wall brackets to allow curtains to stack back correctly with SURF80

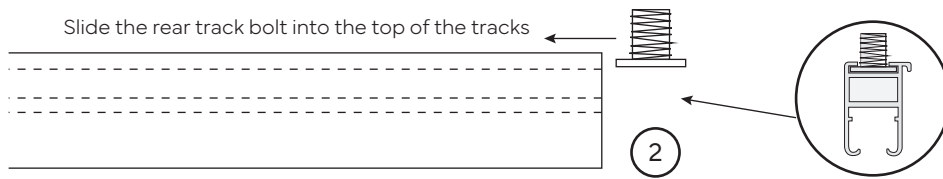
MAGNETIC GLIDER BRAKE to ensure curtains stay stacked back



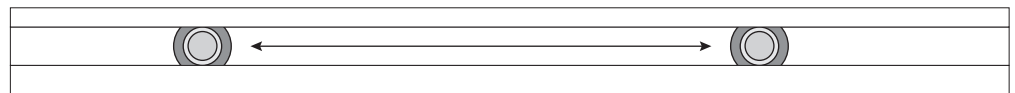
DOUBLE TRACKS



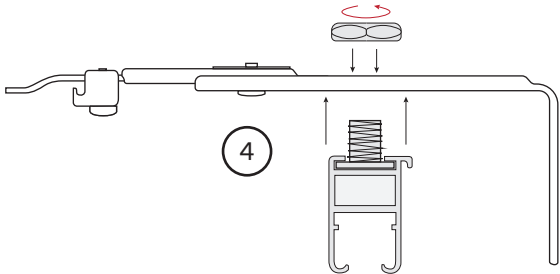
1 Ensure your markings are level and fix your brackets to the wall



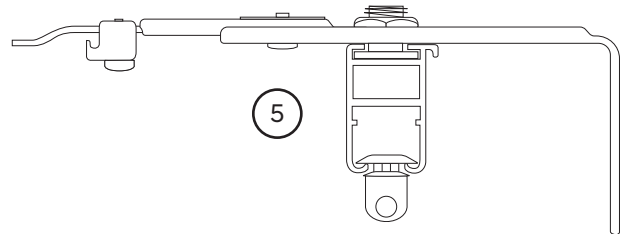
*Square30 can only be used for the rear track



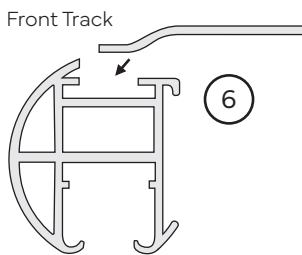
3 Slide bolts along track to match the bracket locations



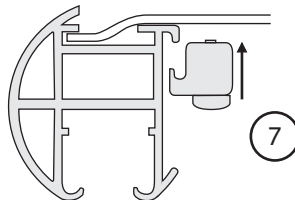
4



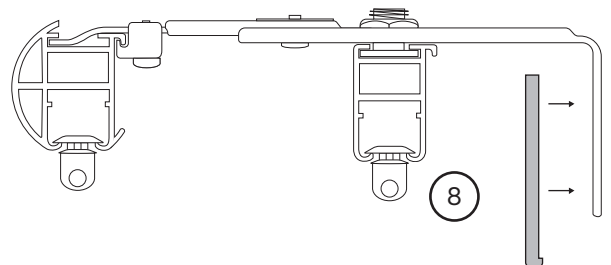
5



6

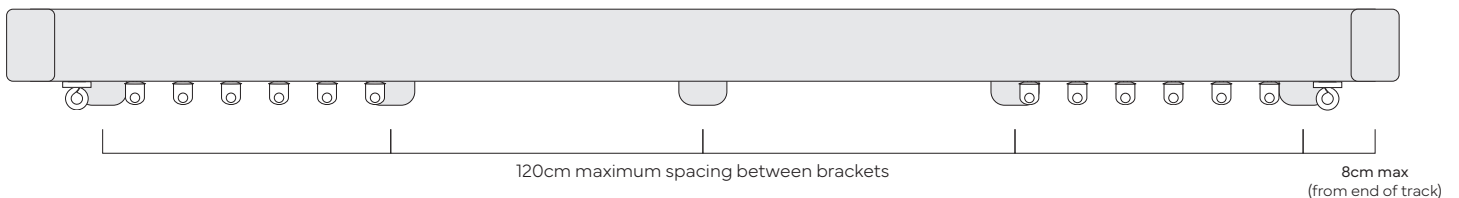


7



8

FOLLOW STANDARD INSTRUCTIONS FOR INSTALLING GLIDERS AND END STOPS

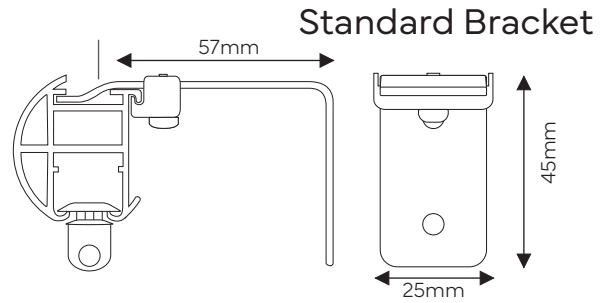
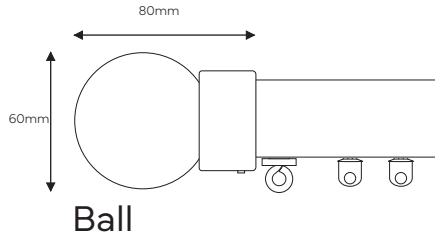
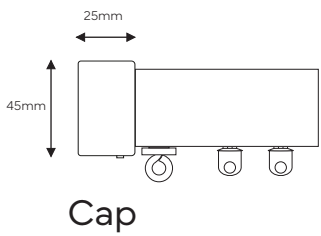


120cm maximum spacing between brackets

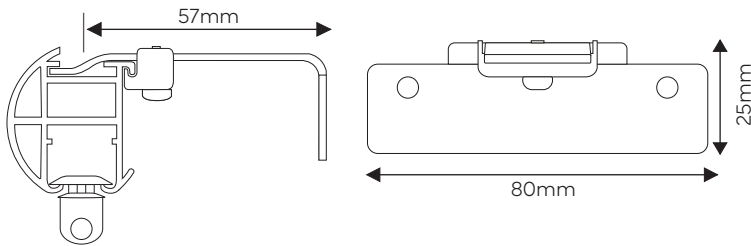
8cm max (from end of track)



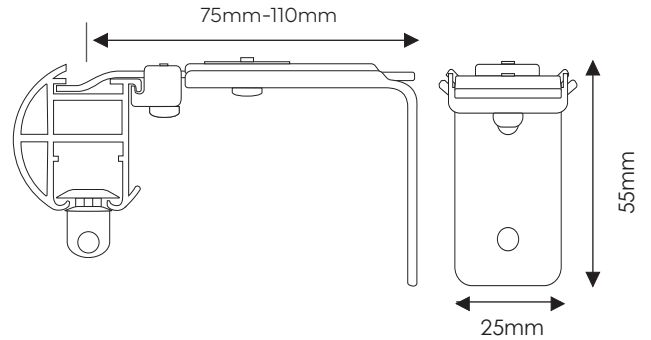
TECHNICAL DETAILS



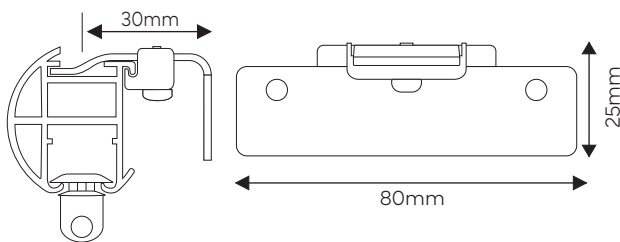
'Standard' Horizontal Bracket



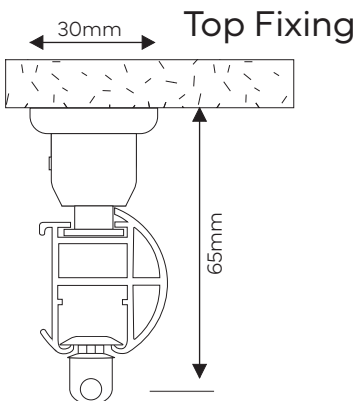
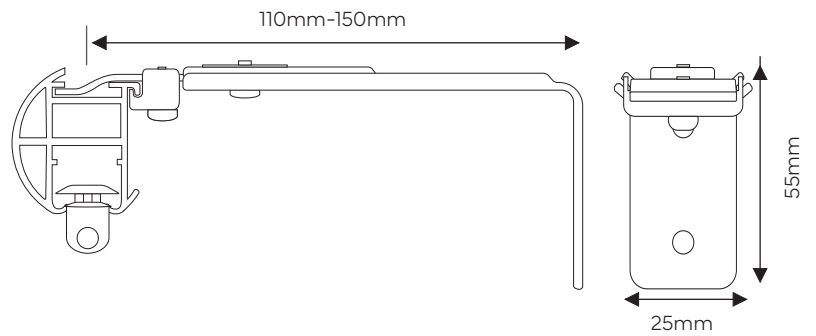
Adjustable Bracket (75mm-110mm)



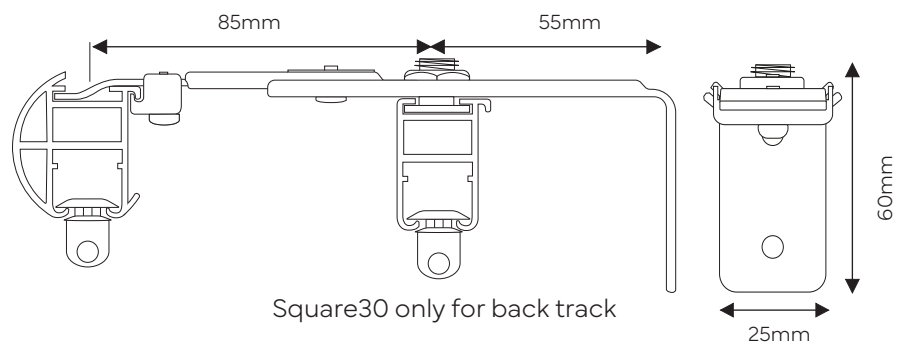
'Short' Horizontal Bracket



Adjustable Bracket (110mm-150mm)



Double Track Bracket



Square30 only for back track

