

METAL POLES WITHOUT RETURNS

ACCOUNT No.	ACCOUNT NAME	TOWN/BRANCH	REF No.
-------------	--------------	-------------	---------

POLE COLOUR (Please tick)
 See Wrought Iron Curtain Poles brochure

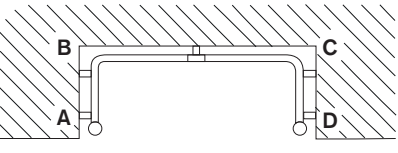
White Chalk Almond Chrome Black Graphite Pewter Bronze

FINIAL STYLE (Please tick)
 See Wrought Iron Curtain Poles brochure

Ball Curl Spear Cage Short Basket Barrel Blond Wood Ball Collar Stop

MEASURING BAY WINDOWS Identify the type of bay window you have, take the measurements as indicated of the actual wall. We will work out the angles and lengths required allowing for bracket standoff etc. (alternatively write in the actual angles on the appropriate diagram if you know them)
 All poles are supplied in 2 parts, joining with a bracket in the middle of the centre window, all poles are supplied oversize to be cut down on site.

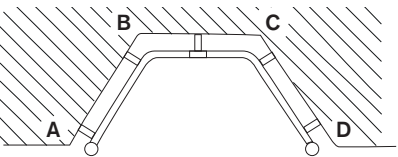
SQUARE 2 BEND BAY



LENGTHS REQUIRED
 Dimensions in MM or INCHES (Please tick)

A B C D
 B C A D

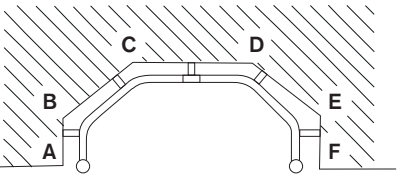
SPLAYED 2 BEND BAY



LENGTHS REQUIRED
 Dimensions in MM or INCHES (Please tick)

A B C D
 B C A D

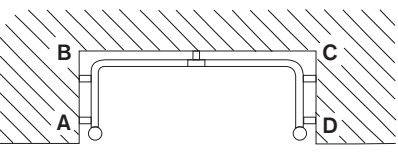
SPLAYED 4 BEND BAY



LENGTHS REQUIRED
 Dimensions in MM or INCHES (Please tick)

A B E F
 B C B E
 (Not less than 300mm) C D A F
 D E
 (Not less than 300mm)

SPLAYED 6 BEND BAY



LENGTHS REQUIRED
 Dimensions in MM or INCHES (Please tick)

A B G H
 B C C D
 (Not less than 300mm) D E (Not less than 300mm) E F
 E F C F
 (Not less than 300mm) F G
 A H B G

SINGLE BEND BAY



CENTRE BRACKET
 Please mark position of centre bracket or join with an 'X' on diagram right

LENGTHS REQUIRED
 Dimensions in MM or INCHES (Please tick)

A B B C
 Angle required How many curtains will you hang?