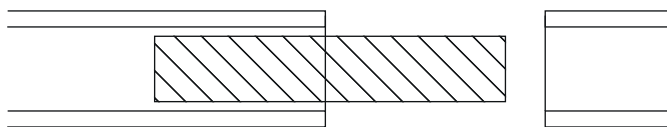
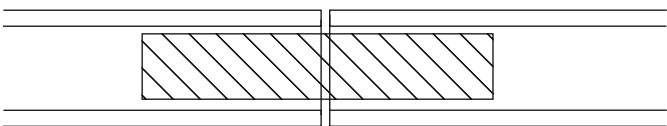


METAL DOWELS

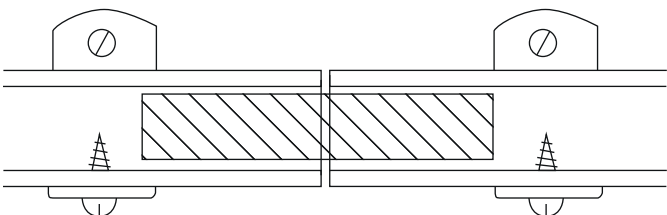
An alternative method of joining poles in oversized bays



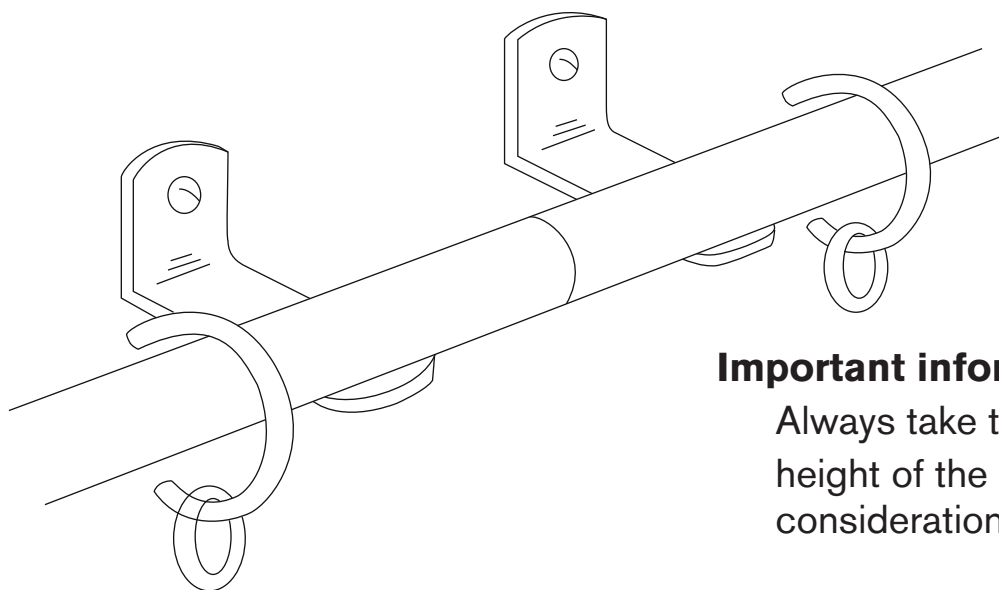
1. Insert the special metal dowel inside poles



2. Push pole ends together



3. Attach poles using ring pass brackets at both ends of metal dowel



Important information

Always take the weight and height of the curtain into consideration

And please note that the additional joints and brackets will be visible