

CORDED POLES

ACCOUNT No.	DELIVERY ADDRESS
ACCOUNT NAME	
REFERENCE	
DATE ORDERED	
DATE REQUIRED	
SPECIAL INSTRUCTIONS	

POLE DIAMETER: Please tick 50mm 63mm **EXACT POLE LENGTH REQUIRED:** Excluding finials

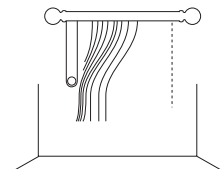
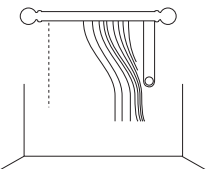
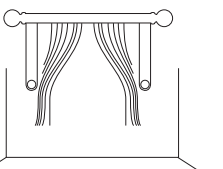
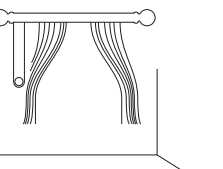
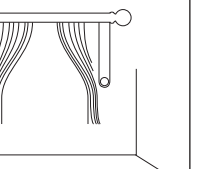
COLOUR REQUIRED: Please select an option

<input type="checkbox"/> Antique Light Oak	<input type="checkbox"/> Cherry	<input type="checkbox"/> Silver over Cream	<input type="checkbox"/> Gold over Ivory
<input type="checkbox"/> Light Oak	<input type="checkbox"/> Limed	<input type="checkbox"/> Silver over Black	<input type="checkbox"/> Steel
<input type="checkbox"/> Natural Mahogany	<input type="checkbox"/> Ivory Woodwash	<input type="checkbox"/> Antique Gilded	<input type="checkbox"/> Silver over White
<input type="checkbox"/> Walnut	<input type="checkbox"/> Gold over White	<input type="checkbox"/> Ivory	<input type="checkbox"/> Gilded
<input type="checkbox"/> Red Mahogany	<input type="checkbox"/> White	<input type="checkbox"/> Baroque	<input type="checkbox"/> Matt Black
<input type="checkbox"/> Jacobean	<input type="checkbox"/> Wash over Gold	<input type="checkbox"/> Gold over Red	<input type="checkbox"/> Silver
		<input type="checkbox"/> Pearl	<input type="checkbox"/> Gold over Black

Custom Colour

FINIAL STYLE: Please select an option	BRACKET CHOICE: Please select an option
<input type="checkbox"/> Ball	<input type="checkbox"/> Satin Brass
<input type="checkbox"/> Oriental	<input type="checkbox"/> Chrome
<input type="checkbox"/> Vase	<input type="checkbox"/> Antique Brass
<input type="checkbox"/> Button	<input type="checkbox"/> Polished Brass
<input type="checkbox"/> Beehive	<input type="checkbox"/> Bronze Recess Bracket
<input type="checkbox"/> Peardrop	<input type="checkbox"/> Pewter Recess Bracket
<input type="checkbox"/> Acorn	<input type="checkbox"/> Bronze Ceiling Bracket
<input type="checkbox"/> Flute	<input type="checkbox"/> Pewter Ceiling Bracket
<input type="checkbox"/> Cap	
<input type="checkbox"/> Pineapple	
<input type="checkbox"/> Gothic	
<input type="checkbox"/> Crown	

CORDING TYPE: Please select an option

				
Single Curtain Left hand side control Max length 2.4m	Single Curtain Right hand side control Max length 2.4m	Pair of Curtains Dual control Max length 4.8m (Extra charge)	Pair of Curtains Left hand side control Max length 4.8m	Pair of Curtains Right hand side control Max length 4.8m

To enable this product to meet BS EN1320 (Child Safety for Blinds Regulations) the cord for tensioning device **MUST** be used and must be fitted 1.5m or greater from the floor. To meet the standard we must supply the product with a cord that must not extend below 1.5m from the floor.

Please select the fitting height of the pole you are ordering:

Note: Because of these regulations, poles mounted 2.0m or less may be difficult to operate satisfactorily. For low mounted poles, consider using hand-drawn tracks with no cord.

POLE TO BE FITTED AT LEAST	CORD LOOP DROP PROVIDED:
<input type="checkbox"/> 4.0m from the floor	<input type="checkbox"/> 2.5m
<input type="checkbox"/> 3.0m from the floor	<input type="checkbox"/> 1.5m
<input type="checkbox"/> 2.5m from the floor	<input type="checkbox"/> 1.0m
<input type="checkbox"/> 2.0m from the floor	<input type="checkbox"/> 0.5m
<input type="checkbox"/> Other	<input type="text"/>