

## FITTING INSTRUCTIONS FOR CORDED POLES

Before mounting onto the brackets, install the overlap arm, underlap arm, return and down pulleys, last eye end stops and the cord.. (made to measure corded poles are supplied complete).

Mount the pole onto the brackets and ensure the pulleys are not fouled by the brackets. Both the return and down pulley are easily moved along the track by loosening off the locking screw and sliding along the track as required. Mount the cord tensioner directly below the down pulley assembly.

BS EN13120 Child Safety for Blinds regulations apply to this product, to comply with these regulations, the cord tensioning device must be used, and must be fitted 1.5m or greater from the floor.

Pull a loop of cord out and insert into the underlap arm. Put the loop of cord around the cord tensioning pulley and tension up the cord by pulling the excess cord through the overlap arm, knot off the cord and test before cutting the cord to length! Adjust the position of the underlap arm.

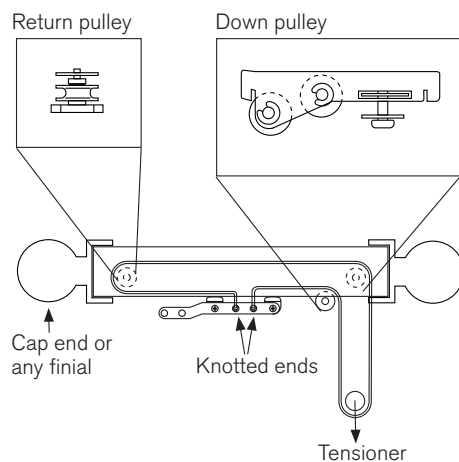
Standard brackets:

Brass and Chrome brackets, with front rosette locking screw: Drop the pole onto the bracket and tighten up front locking screw

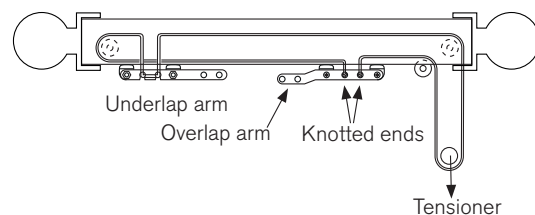
Adjustable loop brackets:

Slide the front loop part of the bracket up the pole, then insert the stem of the loop bracket into the backplate and lock off with the allen key provided.

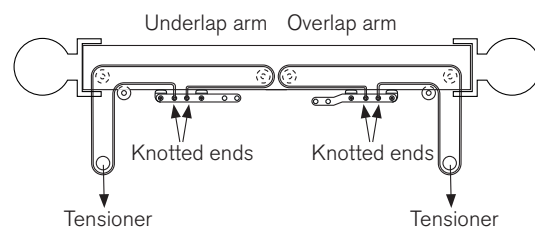
### SINGLE CORD, SINGLE CURTAIN



### SINGLE CORD, PAIR OF CURTAINS



### DUAL CORD, PAIR OF CURTAINS



Our twistfit gliders simply clip in and out anywhere on the track, so its easy to add or remove gliders