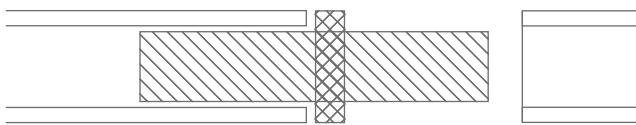
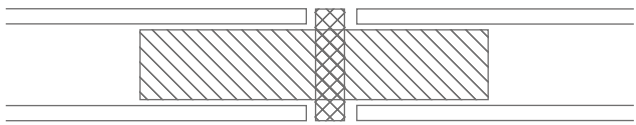


METAL DOWELS

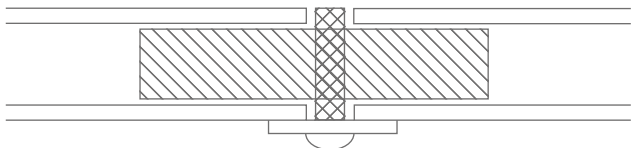
An alternative method of joining poles in oversize bays.



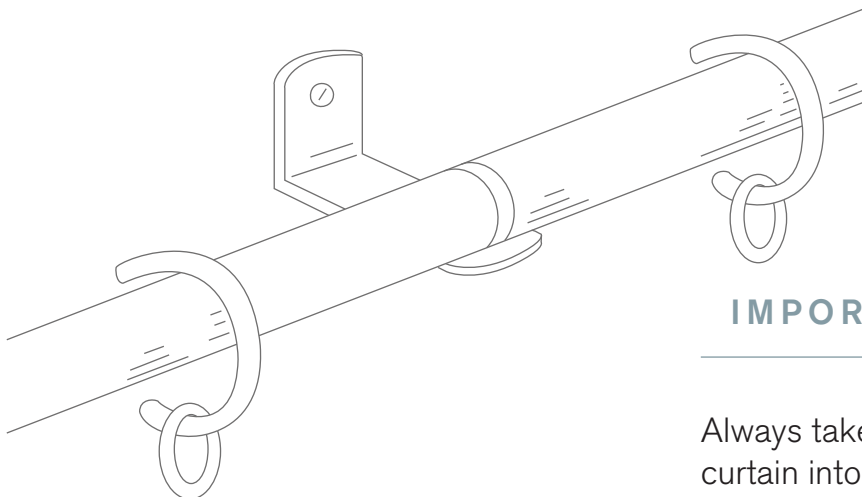
1 Insert the special metal dowel inside poles



2 Push pole ends together



3 Attach poles using ring pass bracket



IMPORTANT INFORMATION

Always take the weight and height of the curtain into consideration and please note that the additional joints and brackets will be visible.